

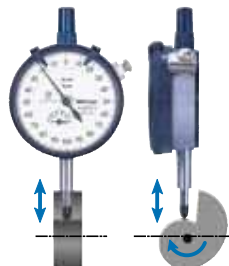
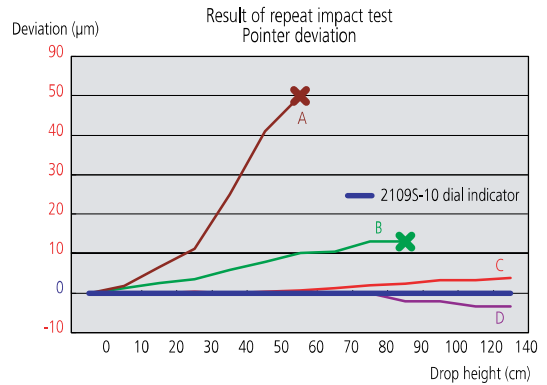
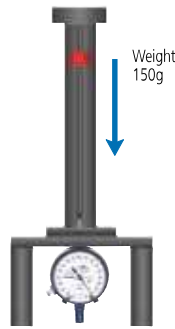
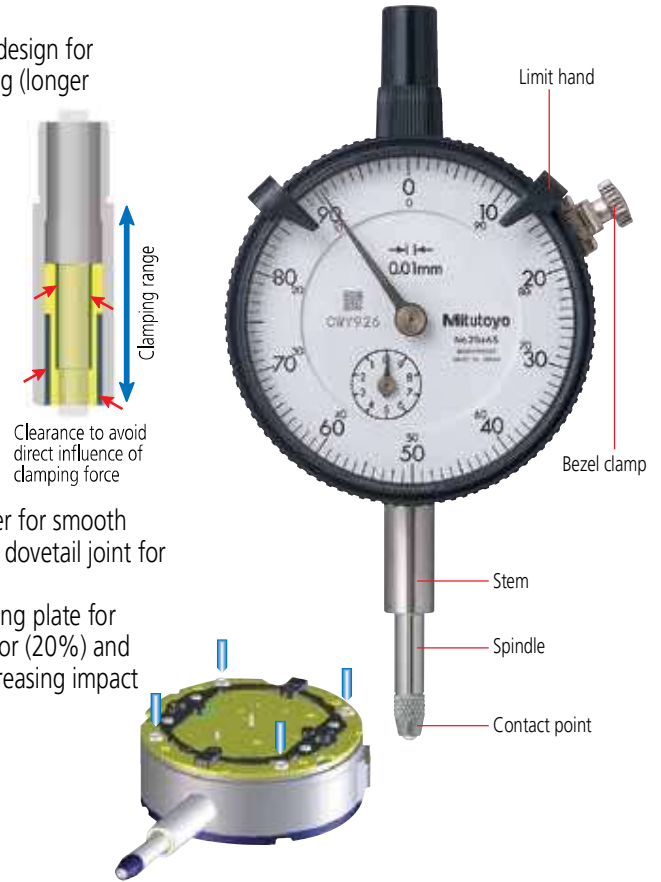
Dial Indicators

Description of Icon

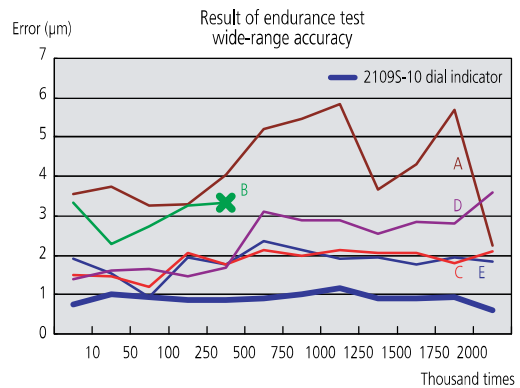
Icon	Description
	Reverse reading type suitable for depth and step measurement
	One revolution type for easy and error-free reading
	Double scale spacing type, easy to read
	Shockproof
	Waterproof
	With damper at lowest rest point
	Jeweled bearing
	Peak retaining
	Long stem
	Dustproof
	With coaxial revolution counter
	Back plunger
	Adjustable hand
	Double-face type

FEATURES: S Series

- Revolutionary stem-bush design for trouble-free stem clamping (longer clamping range).
- No through screw hole on the frame for high dust-resistance.
- Involute curved lifting lever for smooth movement of spindle and dovetail joint for tool-less connection.
- Greater rigidity in the bearing plate for reducing the retracing error (20%) and 4-screw mounting for increasing impact resistance.



Endurance testing with cam
Rotation speed: 120rpm



Dial Indicators


SERIES 0 - Compact type



1911T-10


 **Balanced scale**



1911T-10
 **Jeweled bearing**


 **Balanced scale**




1913T-10
 **Jeweled bearing**

SPECIFICATIONS

Inch Stem dia. 3/8", #4-48 UNF Thread  ANSI/AGD type

Graduation	Range	Range/rev	Dial reading	Order No.		Accuracy		Measuring force	
				w/ lug	Flat-back	First 2.5 Rev	Overall Accuracy		
.0001"	.025"	.01"	0-5-0	1925T-10	1925TB-10	±.0002"	±.0002"	0.3 - 1.8N	✓
.0005"	.05"	.02"	0-10-0	1923T-10	1923TB-10	±.0005"	±.0005"	0.3 - 1.8N	✓
.001"	.1"	.04"	0-20-0	1921T-10	1921TB-10	±.001"	±.001"	0.3 - 1.8N	✓

Metric Stem ø 8mm, M2.5 x 0.45 Thread  ISO/JIS type

Graduation	Range	Range/Rev	Dial reading	Order No.		Accuracy		Measuring force	
				w/ lug	Flat-back	Any Rev	Overall Accuracy		
0.002mm	0.5mm	0.2mm	0-100-0	1913T-10	1913TB-10	±5µm	±6µm	0.3 - 1.8N	✓
0.01mm	2.5mm	1mm	0-50-0	1911T-10	1911TB-10	±10µm	±12µm	0.3 - 1.8N	✓

 Jeweled bearing

DIMENSIONS

Inch Model Unit: Inch

Order Number	A	B
1925T-10	1.48"	.28"
1923T-10	1.51"	.31"
1921T-10	1.58"	.37"

Metric Model Unit: mm

Order Number	A	B
1911T-10	42	11.5
1913T-10	39.5	9

Dial Indicators

SERIES 1



1803S-10



1411S



1506S

SPECIFICATIONS

Inch

Stem dia. 3/8" #4-48 UNF Thread

ANSI/AGD type

Graduation	Range	Range / Rev	Dial reading	Order No.		Accuracy		Measuring force		
				(W/Lug)	(Flat-back)	First 2.5 Rev	Overall Accuracy			
.0001"	.025"	.01"	0-10	1802S-10	1802SB-10	±.0001"	±.0001"	1.4N or less	✓	✓
.0001"	.025"	.01"	0-5-0	1803S-10	1803SB-10	±.0001"	±.0001"	1.4N or less	✓	✓
.0005"	.1"	.04"	0-40	1670S	1670SB	±.0005"	±.0005"	1.4N or less		
.0005"	.1"	.04"	0-20-0	1671S	1671SB	±.0005"	±.0005"	1.4N or less		
.0005"	.125"	.05"	0-50	1506S	1506SB	±.0005"	±.0005"	1.4N or less		
.0005"	.125"	.05"	0-25-0	1507S	1507SB	±.0005"	±.0005"	1.4N or less		
.001"	.125"	.05"	0-50	1780S	1780SB	±.001"	±.001"	1.4N or less		
.001"	.125"	.025"	0-25-0	1781S	1781SB	±.001"	±.001"	1.4N or less		
.001"	.25"	.1"	0-100	1410S	1410SB	±.001"	±.001"	1.4N or less		
.001"	.25"	.1"	0-100	1410S-10	1410SB-10	±.001"	±.001"	1.4N or less		✓
.001"	.25"	.1"	0-50-0	1411S	1411SB	±.001"	±.001"	1.4N or less		



Shockproof



Jeweled bearing

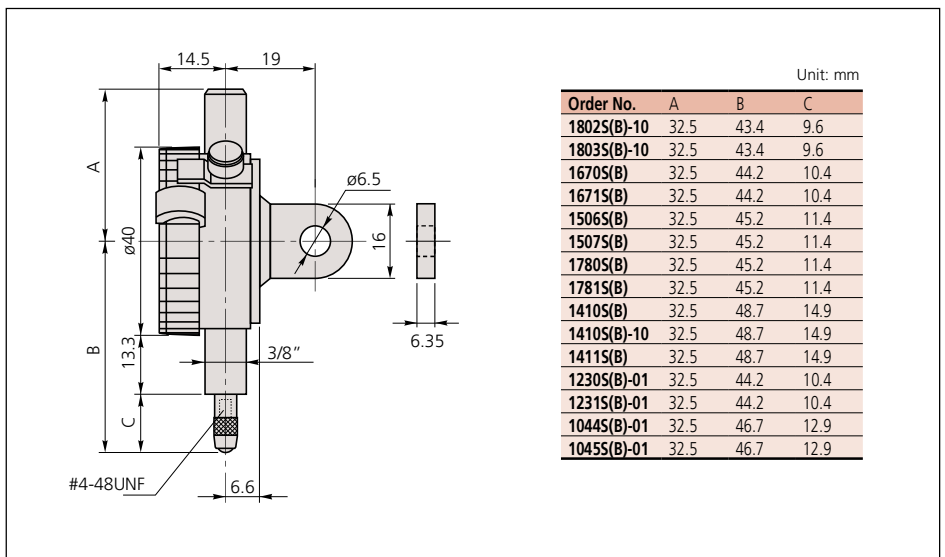
Metric

Metric - ANSI Standard Stem dia. 3/8" #4-48 UNF Thread yellow dial face

ANSI/AGD type

Graduation	Range	Range / Rev	Dial reading	Order No.		Accuracy		Measuring force
				(W/Lug)	(Flat-back)	First 2.5 Rev	Overall Accuracy	
0.002mm	0.5mm	0.2mm	0-20	1010S-11	1010SB-11	±0.002mm	±0.002mm	1.5N or less
0.002mm	0.5mm	0.2mm	0-10-0	1011S-11	1011SB-11	±0.002mm	±0.002mm	1.5N or less
0.01mm	2.5mm	1mm	0-100	1230S-01	1230SB-01	±0.01mm	-	1.4N or less
0.01mm	2.5mm	1mm	0-50-0	1231S-01	1231SB-01	±0.01mm	-	1.4N or less
0.01mm	5mm	1mm	0-100	1044S-01	1044SB-01	±0.01mm	±0.013mm	1.4N or less
0.01mm	5mm	1mm	0-50-0	1045S-01	1045SB-01	±0.01mm	±0.013mm	1.4N or less

DIMENSIONS



Dial Indicators

SERIES 1



1040S



1013S



1045S



1109S-10



1003T



1044S

Metric

Stem ϕ 8mm M2.5 X 0.45 Thread

ISO/JIS type

Graduation	Range	Range / Rev	Dial reading	Order No.		Accuracy		Measuring force	Shockproof	Waterproof	Jeweled bearing
				(W/Lug)	(Flat-back)	First 2.5 Rev	Overall Accuracy				
0.001mm	1mm	0.2mm	0-100-0	1109S-10	1109SB-10	± 0.001 mm	± 0.007 mm	1.5N or less	✓		✓
0.002mm	1mm	0.2mm	0-100-0	1013S-10	1013SB-10	± 0.002 mm	± 0.01 mm	1.5N or less	✓		✓
0.005mm	3.5mm	0.5mm	0-50	1124S	1124SB	± 0.005 mm	± 0.013 mm	1.4N or less			✓
0.01mm	3.5mm	0.5mm	0-50	1040S	1040SB	± 0.01 mm	± 0.013 mm	1.5N or less			
0.01mm	3.5mm	0.5mm	0-25-0	1041S	1041SB	± 0.01 mm	± 0.013 mm	1.5N or less			
0.01mm	4mm	1mm	0-50-0	1003T	1003TB	± 0.01 mm	± 0.013 mm	0.3 - 1.4N			
0.01mm	5mm	1mm	0-100	1044S	1044SB	± 0.01 mm	± 0.013 mm	1.5N or less			
0.01mm	5mm	1mm	0-100	1044S-60	1044SB-60	± 0.01 mm	± 0.013 mm	2N or less		✓	
0.01mm	5mm	1mm	0-100	1044S-15	1044SB-15	± 0.01 mm	± 0.013 mm	2N or less	✓		
0.01mm	5mm	1mm	0-50-0	1045S	1045SB	± 0.01 mm	± 0.013 mm	1.4N or less			



Shockproof



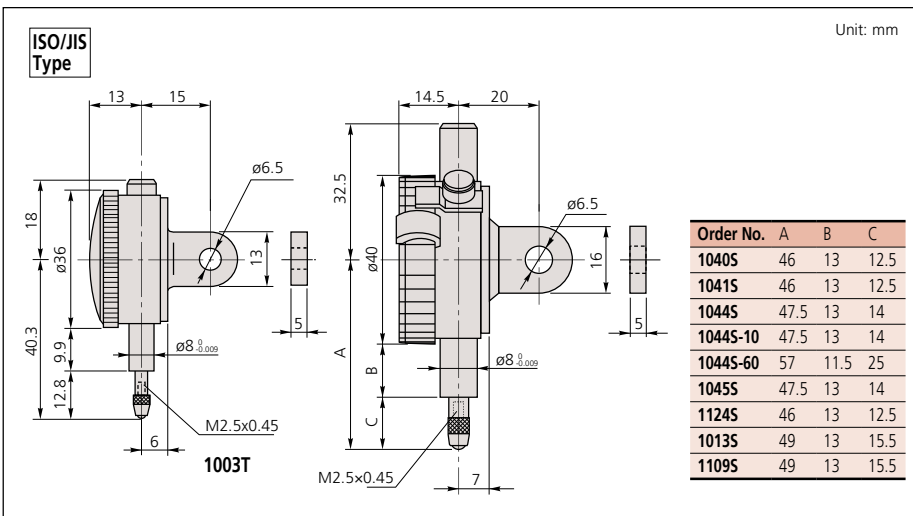
Waterproof



Jeweled bearing

DIMENSIONS

Unit: mm



Optional Accessories

- Backs (See page F-33.)
- Contact points (See page F-34.)



Dial Indicators

SERIES 1 — Compact One Revolution Type for Error-free Reading



One revolution type



1929S
1929S-62



1900S-10
1900S-72



1929S

Unlike many other dial indicators, the one-revolution dial indicator shows the entire spindle travel or range as one sweep of the hand, eliminating the possibility of reading errors due to miscounting the multiple revolutions. With one-revolution dial indicators, within tolerance and out of tolerance can't be misinterpreted. Unique shock-proof mechanism provides improved immunity to shock due to sudden spindle retraction caused by high impact.



Shockproof type



Dustproof type



Waterproof type



Jeweled bearing type

SPECIFICATIONS

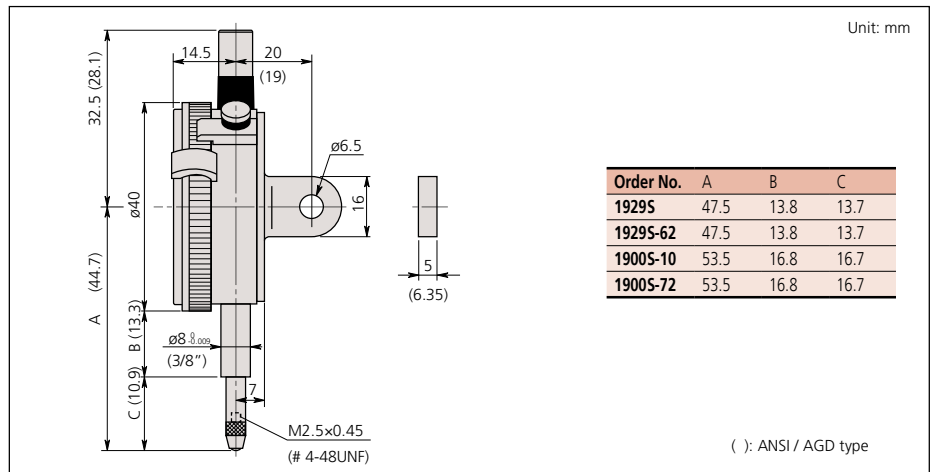
Inch		Stem dia. 3/8", #4-48 UNF Thread		ANSI/AGD type						
Graduation	Range (range/full stroke)	Dial reading	Order No.		Accuracy	Measuring force	Shockproof	Dustproof	Waterproof	Jeweled bearing
			w/lug	Flat-back						
.0001"	.006" / .0079"	3-0-3	1910S-72	1910SB-72	±.0001"	1.4N or less	✓	✓	—	—
.0005"	.04" / .055"	20-0-20	1909S-62	1909SB-62	±.0005"	1.4N or less	✓	✓	—	—

Metric		Stem ø 8mm, M2.5 x 0.45 Thread		ISO/JIS type						
Graduation	Range (range/full stroke)	Dial reading	Order No.		Accuracy	Measuring force	Shockproof	Dustproof	Waterproof	Jeweled bearing
			w/lug	Flat-back						
0.001mm	0.1mm / 0.14mm	50-0-50	1900S-10	1900SB-10	±0.005mm	1.5N or less	✓	—	—	✓
0.001mm	0.1mm / 0.14mm	50-0-50	1900S-72	1900SB-72	±0.006mm	1.5N or less	✓	✓	—	✓
0.01mm	1mm / 1.4mm	50-0-50	1929S	1929SB	±0.011mm	1.4N or less	✓	—	—	—
0.01mm	1mm / 1.4mm	50-0-50	1929S-62	1929SB-62	±0.011mm	1.4N or less	✓	✓	—	—

Optional Accessories

- : Backs (See page F-33.)
- : Contact points (See page F-34.)

DIMENSIONS



Dial Indicators

SERIES 2 — Standard One Revolution Type for Error-free Reading



One revolution type.



Shockproof type



Waterproof type



Dustproof type



Jeweled bearing type

SPECIFICATIONS

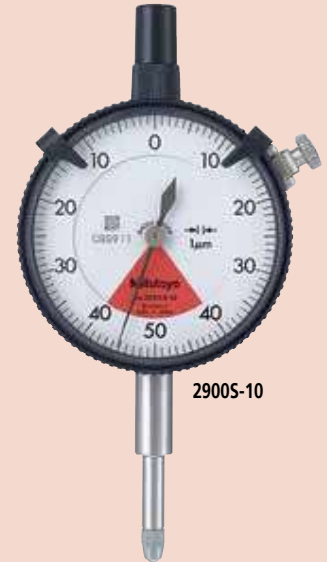
Metric

Stem ϕ 8mm, M2.5 x 0.45 Thread

ISO/JIS type

Graduation	Range (range/full stroke)	Dial reading	Order No.		Accuracy	Measuring force	Shockproof	Waterproof	Dustproof	Jeweled bearing
			w/ lug	Flat-back						
0.001mm	0.08mm / 0.1mm	40-0-40	2900S-10	2900SB-10	± 0.003 mm	1.4N or less	✓	—	—	✓
0.001mm	0.08mm / 0.1mm	40-0-40	2900S-70	2900SB-70	± 0.003 mm	2.0N or less	✓	✓	—	✓
0.001mm	0.08mm / 0.1mm	40-0-40	2900S-72	2900SB-72	± 0.003 mm	2.0N or less	✓	—	✓	✓
0.001mm	0.16mm / 0.2mm	80-0-80	2901S-10	2901SB-10	± 0.004 mm	1.4N or less	✓	—	—	✓
0.01mm	0.8mm / 1mm	40-0-40	2929S	2929SB	± 0.009 mm	2.0N or less	✓	—	—	—
0.01mm	0.8mm / 1mm	40-0-40	2929S-60	2929SB-60	± 0.009 mm	2.0N or less	✓	✓	—	—
0.01mm	0.8mm / 1mm	40-0-40	2929S-62	2929SB-62	± 0.009 mm	2.0N or less	✓	—	✓	—
0.01mm	1.6mm / 2mm	80-0-80	2959S	2959SB	± 0.013 mm	1.4N or less	✓	—	—	—
0.01mm	0.5mm / 0.7mm	25-0-25	—	2971TB*	± 0.008 mm	0.4 - 1.4N	✓	—	✓	—
0.01mm	1mm / 1.4mm	50-0-50	—	2972TB*	± 0.008 mm	0.4 - 1.4N	✓	—	✓	—
0.02mm	1.6mm / 2mm	80-0-80	—	2973TB*	± 0.016 mm	0.4 - 1.4N	✓	—	✓	—
0.1mm	4mm / 10mm	2-0-2	2928S	2928SB	± 0.040 mm	1.4N or less	✓	—	—	—

* Flat-back type only. (Lug-on-center back is not available.)



2900S-10



2929S
2929S-60
2929S-62



2959S



2900S-10
2900S-70
2900S-72



2901S-10

DIMENSIONS

ISO/JIS Type

Unit: mm

Order No.	A	B	C	D	E	F	H
2971TB	43.2	65.6	57	16.5	19.8	16.8	55
2972TB	43.2	66.0	57	16.5	19.8	17.2	55
2973TB	43.2	66.3	57	16.5	19.8	17.5	55
2929S	48.8	65.2	57	17.7	12.3	29.2	52
2929S-62	48.8	65.2	57	17.7	16.9	19.8	52
2929S-60	48.8	70	57	17.7	12.3	29.2	52
2959S	48.8	65.2	57	17.7	16.9	19.8	52
2900S-10	48.8	66	57	17.7	16.9	20.6	52
2900S-72	48.8	66	57	17.7	16.9	20.6	52
2900S-70	48.8	67	57	17.7	12.3	26.2	52
2901S-10	48.8	66.1	57	17.7	16.9	20.7	52
2928S	48.8	65.2	57	17.7	16.9	19.8	52

Optional Accessories

- : Backs (See page F-33.)
- : Contact points (See page F-34.)



Dial Indicators

SERIES 2 — Standard One Revolution Type for Error-free Reading

FEATURES

- Unique shock-proof mechanism provides improved immunity to shock due to sudden spindle retraction caused by high impact.
- The crystal is hard coated for durability and scratch resistance.
- Approximately 40% lighter than conventional dial indicator.
- Improved resistance to shop-floor contaminants such as water and dust.
- Due to the spindle bushing being offset from the stem, spindle movement will not be hindered or jammed when clamping along the stem.
- A pair of limit hands are provided for quick and easy tolerance judgment (go/no-go).



2909S-62



2978TB



One revolution type.

SPECIFICATIONS

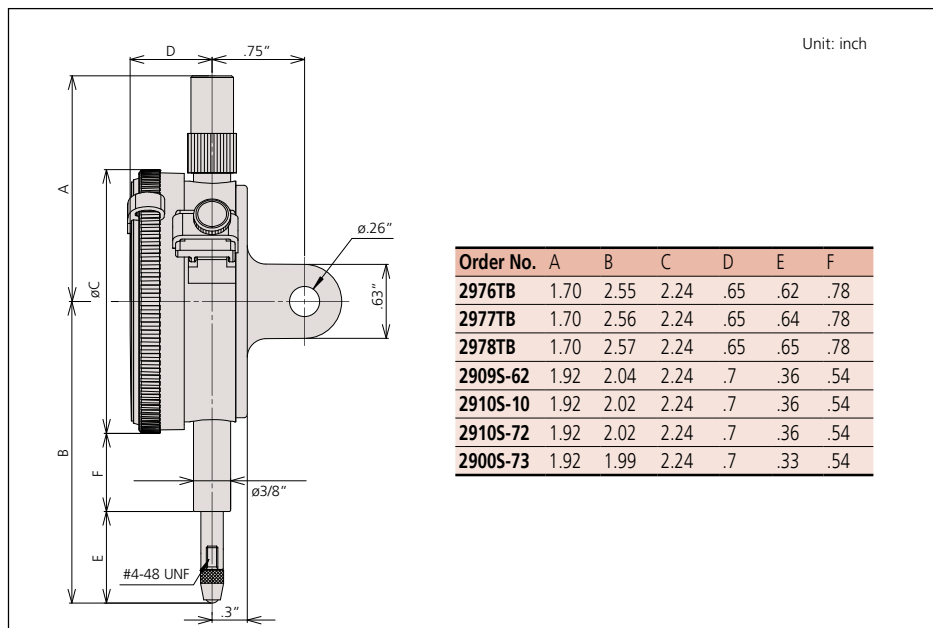
Inch				Stem 3/8" dia., #4-48 UNF Thread		ANSI/AGD type				
Graduation	Range	Range/full stroke	Dial reading	Order No.		Accuracy	Measuring force	Shock	Water	Diamond
				w/ lug	Flat-back					
.0001"	.008"	.01"	4-0-4	2910S-10	2910SB-10	±.0001"	1.8N or less	✓	✓	✓
.0001"	.008"	.01"	4-0-4	2910S-72	2910SB-72	±.0001"	2.5N or less	✓	✓	✓
.0005"	.04"	.05"	20-0-20	2909S-62	2909SB-62	±.0005"	2.5N or less	✓	✓	✓
.0005"	.02"	.028"	10-0-10	—	2976TB*	±.0005"	0.4 - 1.4N	✓	✓	—
.0005"	.04"	.055"	20-0-20	—	2977TB*	±.0005"	0.4 - 1.4N	✓	✓	—
.001"	.06"	.079"	30-0-30	—	2978TB*	±.001"	0.4 - 1.4N	✓	✓	—

*Flat-back type only. (Lug-on-center back is not available.)

Metric				Stem 3/8" dia., #4-48 UNF Thread Yellow Dial Face		ANSI/AGD type				
Graduation	Range	Range/full stroke	Dial reading	Order No.		Accuracy	Measuring force	Shock	Water	Diamond
				w/ lug	Flat-back					
0.001mm	0.08mm	0.1mm	40-0-40	2900S-73	2900SB-73	±0.003mm	2.0N or less	✓	✓	✓

*Flat-back type only. (Lug-on-center back is not available.)

DIMENSIONS



Optional Accessories

- : Backs (See page F-33.)
- : Contact points (See page F-34.)

Special Dial Indicators

SERIES 2



Adjustable hand



20485-10

Adjustable hand dial gage

The hand position can be adjusted independently of the vertical movement of the spindle by rotating the top knob.



Peak hold



20465-80

Peak hold dial gage

A mechanism that stops the pointer and the spindle at the depressed position where the spindle is depressed makes the pointer stop and display the maximum value.



SPECIFICATIONS

Inch Stem dia. 3/8" #4-48 UNF Thread ANSI/AGD type

Graduation	Range	Range /rev	Dial reading	Order No.		Accuracy		Measuring force	Diamond	Adjustable hand	Peak hold
				w/lug	Flat-back	First 2.5 Rev	Overall Accuracy				
.001"	.5"	.1"	0-100	29155-10	29155B-10	±.001"	±.001"	1.8N or less	✓	✓	✓
.001"	.5"	.1"	0-50-0	29185-10	29185B-10	±.001"	±.001"	1.8N or less	✓	✓	✓

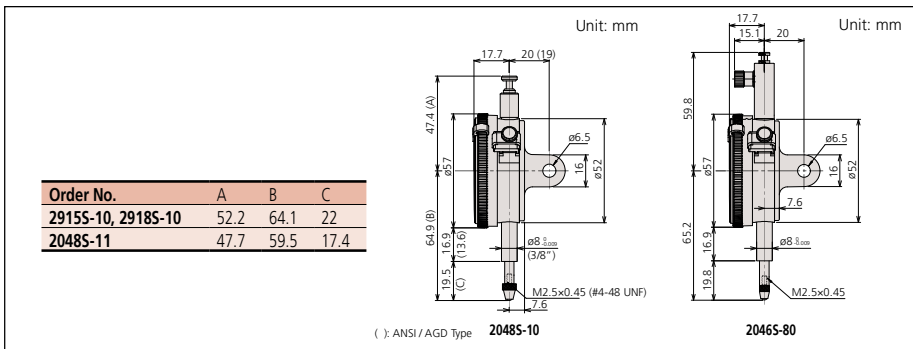
Metric Stem dia. 3/8" #4-48 UNF Thread, Yellow Dial Face ANSI/AGD type

Graduation	Range	Range /rev	Dial reading	Order No.		Accuracy		Measuring force	Diamond	Adjustable hand	Peak hold
				w/lug	Flat-back	First 2.5 Rev	Overall				
0.01mm	10mm	1mm	0-100	20485-11	20485B-11	±13µm	±0.013mm	1.4N or less	✓	✓	✓

Metric Stem ø8mm, M2.5 x 0.45 Thread ISO/JIS type

Graduation	Range	Range /rev	Dial reading	Order No.		Accuracy	Measuring force	Diamond	Adjustable hand	Peak hold	STOP
				w/lug	Flat-back						
0.01mm	10mm	1mm	0-100	20485-10	20485B-10	±0.015mm	1.4N or less	✓	✓	✓	
0.01mm	10mm	1mm	0-100	20465-80	20465B-80	±0.015mm	5.0N or less				✓

DIMENSIONS





Dial Indicators

SERIES 2 — Standard Type, Inch Reading

Optional Accessories

- : Backs (See page F-33.)
- : Contact points (See page F-34.)



2416S



2803S-10

SPECIFICATIONS

Inch		Stem 3/8" dia. #4-48 UNF Thread		ANSI/AGD type							
Graduation	Range	Range /Rev	Dial Reading	Order No.		Accuracy		Measuring force	Shockproof type	Reverse reading type	Jeweled bearing type
				w/lug	Flat-back	First 2.5 Rev	Overall				
.0001"	.025"	.01"	0-10	2802S-10	2802SB-10	±.0001"	±.0001"	2.5N or less	✓		✓
.0001"	.025"	.01"	0-5-0	2803S-10	2803SB-10	±.0001"	±.0001"	2.5N or less	✓		✓
.0001"	.05"	.01"	0-10	2804S-10	2804SB-10	±.0001"	±.0002"	2.0N or less	✓		✓
.0001"	.05"	.01"	0-5-0	2805S-10	2805SB-10	±.0001"	±.0002"	2.0N or less	✓		✓
.0001"	.05"	.01"	10-0	2905S-10	2905SB-10	±.0001"	±.0002"	2.0N or less	✓	✓	✓
.0001"	.05"	.01"	0-5-0	2923S-10	2923SB-10	±.0001"	±.0002"	2.0N or less	✓	✓	✓
.0001"	.25"	.01"	0-10	2356S-10	2356SB-10	±.0001"	±.0005"	2.0N or less			✓
.0001"	.5"	.01"	0-10	2358S-10	2358SB-10	±.0001"	±.0008"	2.0N or less			✓
.0005"	.125"	.05"	0-50	2506S	2506SB	±.0005"	±.0005"	1.8N or less			
.0005"	.125"	.05"	0-25-0	2507S	2507SB	±.0005"	±.0005"	1.8N or less			
.0005"	.125"	.05"	0-25-0	2922S	2922SB	±.0005"	±.0005"	1.8N or less		✓	
.0005"	.5"	.05"	0-50	2514S	2514SB	±.0005"	±.0015"	1.8N or less			
.0005"	1"	.05"	0-50	2776S	2776SB	±.0005"	±.002"	2.5N or less			
.001"	.5"	.1"	0-100	2414S	2414SB	±.001"	±.001"	1.8N or less			
.001"	.5"	.1"	100-0	2914S	2914SB	±.001"	±.001"	0.4-1.8N		✓	
.001"	.5"	.1"	0-50-0	2415S	2415SB	±.001"	±.001"	1.8N or less			
.001"	1"	.1"	0-100	2416S	2416SB	±.001"	±.002"	1.8N or less			
.001"	1"	.1"	0-100	2416S-06*	2416SB-06*	±.001"	±.002"	1.8N or less			
.001"	1"	.1"	0-100	2416S-10	2416SB-10	±.001"	±.002"	1.8N or less			✓
.001"	1"	.1"	0-50-0	2417S	2417SB	±.001"	±.002"	1.8N or less			
.001"	1"	.1"	100-0	2904S	2904SB	±.001"	±.002"	1.8N or less		✓	
.001"	2"	1"	0-100	2424S-19	2424SB-19	±.001"	±.003"	2.5N or less	✓		✓

* Black Face



Shockproof type



Reverse reading type



Jeweled bearing type

Dial Indicators

SERIES 2 — Standard Type, Inch Reading



2506S

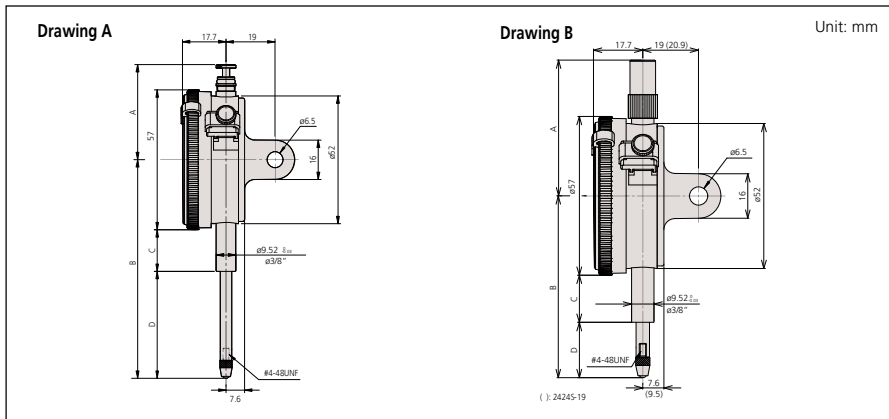


2923S-10



2424S-19

DIMENSIONS



2 Group Inch

Order No.	A	B	C	D	Drawing
2356S(B)-10	48.8	57.2	13.6	15.1	B
2358S(B)-10	38.9	63.6	13.6	21.5	A
2414S(B)	38.9	64.1	13.6	22	A
2415S(B)	38.9	64.1	13.6	22	A
2416S(B)	38.9	76.8	13.6	34.7	A
2416S(B)-06	38.9	76.8	13.6	34.7	A
2416S(B)-10	38.9	76.8	13.6	34.7	A
2417S(B)	38.9	76.8	13.6	34.7	A
2424S(B)-19	118.5	142.5	54.3	59.7	B
2506S(B)	48.8	54.3	13.6	12.2	B
2507S(B)	48.8	54.3	13.6	12.2	B
2514S(B)	38.9	64.1	13.6	22	A

Order No.	A	B	C	D	Drawing
2776S(B)	38.9	76.8	13.6	34.7	A
2802S(B)-10	48.8	51.4	13.6	9.3	B
2803S(B)-10	48.8	51.4	13.6	9.3	B
2804S(B)-10	48.8	51.7	13.6	9.6	B
2805S(B)-10	48.8	51.7	13.6	9.6	B
2904S(B)	38.9	76.8	13.6	34.7	A
2905S(B)-10	48.8	51.7	13.6	9.6	B
2914S(B)	38.9	64.1	13.6	22	A
2915S(B)-10	52.2	63.3	13.6	21.2	A
2918S(B)-10	52.2	63.3	13.6	21.2	A
2922S(B)	48.8	54.3	13.6	12.2	B
2923S(B)-10	48.8	51.7	13.6	9.6	B



Dial Indicators

SERIES 2 — Metric Standard Type

Series 2 dial indicators are Mitutoyo's most popular and have the widest application.

FEATURES

- Standard 0.01mm graduation dial gages having an outer frame with an outside diameter of 57mm. All types come with limit pins and an outer-frame clamp as standard.
- The outer clamp and lifting lever (optional) can be attached to either the right or left side. These parts can be easily installed and removed without tools.
- Secured adhesion between the outer frame and crystal, as well as the use of an O-ring, protect against water and oil permeation via the front face.
- The stem spindle is made of high-strength quench-hardened stainless steel for longevity.
- A carbide contact point is used.
- The grand gear uses stainless steel that is resistant to wear and deformation.
- Application of a hard coating on the surface of the crystal makes the gage highly scratch- and chemical-resistant.



SPECIFICATIONS

Graduation	Range	Range / Rev	Dial reading	Order No.		Accuracy	Measuring Force	ISO/JIS type								
				w/ lug	Flat-back			Shockproof	Waterproof	Long stem	Jeweled bearing	Double scale	Coaxial counter	Reverse reading	Damper	
0.001mm	1mm	(0.1mm)	0-100	2110S-10	2110SB-10	±0.005mm	1.5N or less	✓			✓	✓				
0.001mm	1mm	(0.1mm)	0-100	2110S-70	2110SB-70	±0.005mm	2.0N or less	✓	✓		✓	✓				
0.001mm	1mm	(0.2mm)	0-100-0	2109S-10	2109SB-10	±0.005mm	1.5N or less	✓			✓	✓				
0.001mm	1mm	(0.2mm)	0-100-0	2109S-70	2109SB-70	±0.005mm	2.0N or less	✓	✓		✓	✓				
0.001mm	2mm	(0.2mm)	0-100-0	2113S-10	2113SB-10	±0.007mm	1.5N or less	✓			✓	✓				
0.001mm	5mm	(0.2mm)	0-100-100	2118S-10	2118SB-10	±0.010mm	1.5N or less				✓	✓				
0.001mm	5mm	(0.2mm)	0-100-0	2119S-10	2119SB-10	±0.010mm	1.5N or less				✓	✓				
0.005mm	5mm	(0.5mm)	0-50	2124S-10	2124SB-10	±0.012mm	1.5N or less				✓	✓				
0.01mm	5mm	(1mm)	0-100	2044S	2044SB	±0.012mm	1.4N or less									
0.01mm	5mm	(1mm)	0-100	2044S-09	2044SB-09	±0.013mm	1.4N or less	✓								
0.01mm	5mm	(1mm)	0-100	2044S-60	2044SB-60	±0.012mm	2.5N or less		✓							
0.01mm	5mm	(1mm)	0-50-0	2045S	2045SB	±0.012mm	1.4N or less									✓
0.01mm	10mm	(1mm)	0-100	2046S	2046SB	±0.013mm	1.4N or less									
0.01mm	10mm	(1mm)	0-100	2046S-09	2046SB-09	±0.015mm	1.4N or less	✓								
0.01mm	10mm	(1mm)	0-100	2046S-60	2046SB-60	±0.013mm	2.5N or less		✓							
0.01mm	10mm	(1mm)	0-100	2310S-10	2310SB-10	±0.015mm	1.4N or less				✓	✓		✓		
0.01mm	10mm	(1mm)	100-0	2902S	2902SB	±0.013mm	1.4N or less									✓
0.01mm	10mm	(1mm)	0-50-0	2047S	2047SB	±0.013mm	1.4N or less									
0.01mm	20mm	(1mm)	0-100	2050S	2050SB	±0.020mm	2.0N or less									✓
0.01mm	20mm	(1mm)	0-100	2050S-60	2050SB-60	±0.020mm	2.5N or less		✓							
0.01mm	20mm	(1mm)	0-100	2050S-19	2050SB-19	±0.020mm	2.0N or less	✓			✓	✓				✓
0.01mm	20mm	(1mm)	0-100	2320S-10	2320SB-10	±0.020mm	2.0N or less				✓	✓		✓		✓
0.01mm	30mm	(1mm)	0-100	2052S	2052SB	±0.025mm	2.5N or less									✓
0.01mm	30mm	(1mm)	0-100	2052S-19	2052SB-19	±0.025mm	2.5N or less	✓			✓	✓				✓
0.01mm	30mm	(1mm)	0-100	2330S-10	2330SB-10	±0.025mm	2.5N or less				✓	✓		✓		✓
0.01mm	30mm	(1mm)	100-0	2952S	2952SB	±0.025mm	2.5N or less								✓	✓

*Use in a vertical position only (contact point downward).



2046S
2046S-09



2046S-60



2047S

Dial Indicators

SERIES 2 — Metric Standard Type

DIMENSIONS

ISO/JIS Type

Unit: mm

Order No.	A	B	C
2124S-10	60.3	16.9	14.9
2110S-10	66.5	16.9	21.1
2110S-70	67.5	12.3	26.7
2109S-10	60.5	16.9	15.1
2109S-70	65.3	12.3	24.5
2113S-10	61	16.9	15.6
2118S-10	60.3	16.9	14.9
2119S-10	60.3	16.9	14.9
2044S	65.2	16.9	19.8
2044S-09	65.2	16.9	19.8
2044S-60	70	12.3	29.2
2045S	65.2	16.9	19.8
2046S	65.2	16.9	19.8
2046S-09	65.2	16.9	19.8
2046S-60	70	12.3	29.2
2310S-10	65.2	16.9	19.8
2902S	65.2	16.9	19.8
2047S	65.2	16.9	19.8

ISO/JIS Type

Unit: mm

Order No.	A	B	C	D
2050S	38.8	75.2	16.9	29.8
2050S-60	59.8	87.2	12.3	46.4
2050S-19	38.8	75.2	16.9	29.8
2320S-10	38.8	75.2	16.9	29.8
2052S	38.8	88.7	16.9	43.3
2052S-19	38.8	88.7	16.9	43.3
2330S-10	38.8	88.7	16.9	43.3
2952S	38.8	88.7	16.9	43.3



2902S



2310S-10



2044S
2044S-60
2044S-09



2045S



Optional Accessories

- : Backs (See page F-33.)
- : Contact points (See page F-34.)

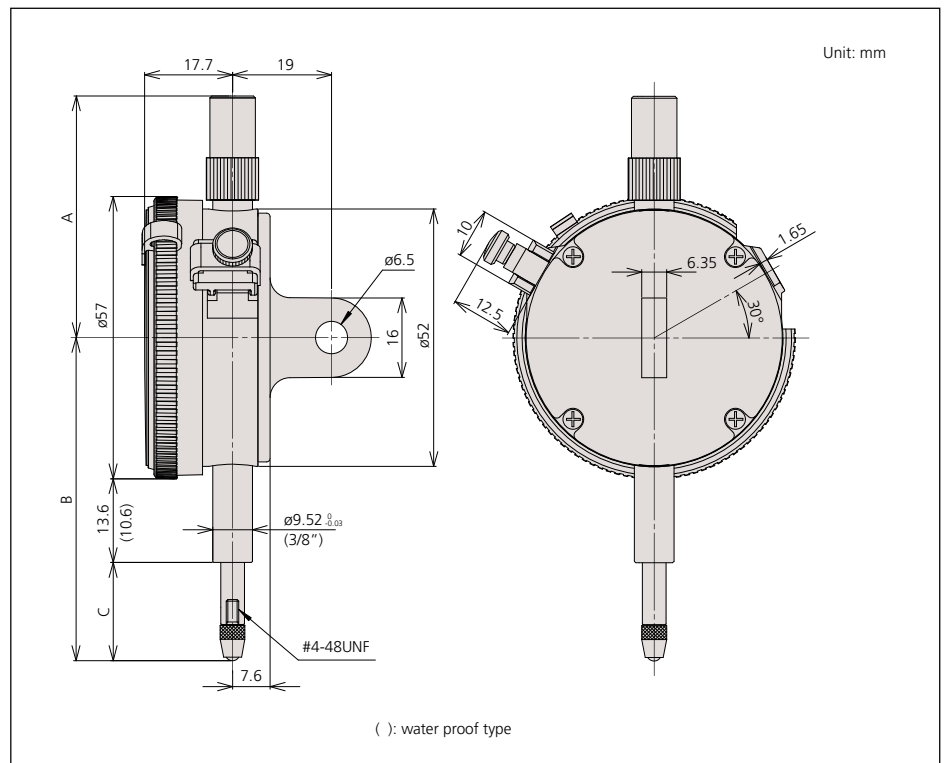
Dial Indicators

SERIES 2 — ANSI / AGD Type Metric Dial Indicator

SPECIFICATIONS

Graduation	Range	Range / Rev	Dial reading	Order No.		Accuracy		Measuring force	 
				w/ lug	Flat-back	First 2.5 Rev	Overall		
0.001mm	1mm	0.2mm	0-100-0	2109S-11	2109SB-11	±0.003mm	±0.004mm	1.5N or less	✓ ✓
0.001mm	5mm	0.2mm	0-100-0	2119S-11	2119SB-11	±0.007mm	±0.01mm	1.5N or less	✓
0.01mm	2.5mm	1mm	0-100	2230S-01	2230SB-01	±0.01mm	±0.01mm	1.4N or less	
0.01mm	2.5mm	1mm	0-50-0	2231S-01	2231SB-01	±0.01mm	±0.01mm	1.4N or less	
0.01mm	10mm	1mm	0-100	2046S-01	2046SB-01	±0.01mm	±0.013mm	1.4N or less	
0.01mm	10mm	1mm	0-100	2046S-11	2046SB-11	±0.01mm	±0.013mm	1.4N or less	✓
0.01mm	10mm	1mm	0-50-0	2047S-01	2047SB-01	±0.01mm	±0.013mm	1.4N or less	
0.01mm	10mm	1mm	0-50-0	2047S-11	2047SB-11	±0.01mm	±0.013mm	1.4N or less	✓
0.01mm	10mm	1mm	100-0	2902S-01	2902SB-01	±0.01mm	±0.013mm	1.4N or less	
0.01mm	20mm	1mm	0-100	2050S-01	2050SB-01	±0.01mm	±0.02mm	2.0N or less	
0.01mm	20mm	1mm	0-100	2050S-11	2050SB-11	±0.01mm	±0.02mm	2.0N or less	✓
0.01mm	25mm	1mm	0-100	2056S-01	2056SB-01	±0.01mm	±0.025mm	2.5N or less	

DIMENSIONS



Order No.	A	B	C
2109S-11	48.8	51.4	9.3
2119S-11	48.8	55.8	13.7
2230S-01	48.8	53.6	11.5
2231S-01	48.8	53.6	11.5
2046S-01	48.8	61.1	19.0
2046S-11	48.8	61.1	19.0
2047S-01	48.8	61.1	19.0
2902S-01	48.8	61.1	19.0
2050S-01	38.8	71.1	29.0
2050S-11	38.8	71.1	29.0
2056S-01	38.8	76.1	34.0

Optional Accessories

- : Backs (See page F-33.)
- : Contact points (See page F-34.)

Dial Indicators

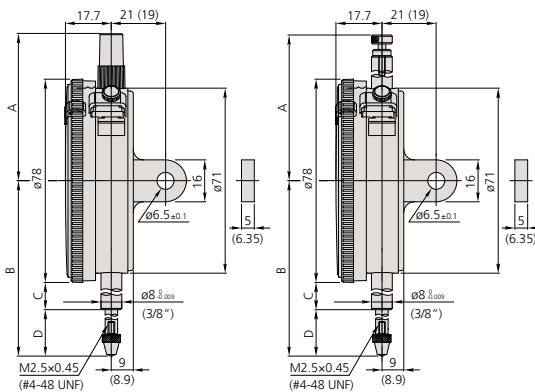
SERIES 3 — Large Dial Face and Long Stroke

- Dial gages with a large-diameter (78mm / 3.07") graduation face for easy reading.



DIMENSIONS

Unit: mm



Order No.	A	B	C	D
3052S(B)-11	72.9	102.4	25.9	37.5
3058S(B)-11	81.9	147.1	50.6	57.5
3414S(B)	51.3	73.4	12.6	21.8
3415S(B)	51.3	73.4	12.6	21.8
3416S(B)	51.3	86.1	12.6	34.5
3417S(B)	51.3	86.1	12.6	34.5
3424S(B)-19	84	149.3	50.6	59.7
3426S(B)-19	120.9	198.1	73.9	85.2
3428S(B)-19	141.9	243.9	94.9	110.0
3802S(B)-10	61.2	59.7	12.6	8.1
3803S(B)-10	61.2	59.7	12.6	8.1
3046S(B)	61.2	75.5	15.9	20.6
3047S(B)	61.2	75.5	15.9	20.6
3050S(B)	52.6	94.0	25.9	29.1
3052S(B)-19	72.9	104.3	25.9	39.4
3060S(B)-19	120.9	202.3	73.9	89.4
3062S(B)-19	141.9	243.3	94.9	109.4
3109S(B)-10	61.2	79.3	25.9	14.1

(): ANSI / AGD Type

Dial Indicators

SERIES 3 — Large Dial Face

SPECIFICATIONS

Inch Stem 3/8" DIA. #4-48 UNF Thread ANSI/AGD type

Graduation	Range	Range /rev	Dial reading	Order No.		Accuracy		Measuring Force			
				W/ lug	Flat-back	First 2.5 Rev	Overall Accuracy				
.0001"	.025"	.01"	0-10	38025-10	38025B-10	±.0001"	±.0001"	2.0N or less	✓	✓	
.0001"	.025"	.01"	0-5-0	38035-10	38035B-10	±.0001"	±.0001"	2.0N or less	✓	✓	
.001"	.5"	.1"	±0-100	34145	34145B	±.001"	±.001"	1.8N or less			
.001"	.5"	.1"	0-50-0	34155	34155B	±.001"	±.001"	1.8N or less			
.001"	1"	.1"	±0-100	34165	34165B	±.001"	±.002"	1.8N or less			
.001"	1"	.1"	0-50-0	34175	34175B	±.001"	±.002"	1.8N or less			
.001"	2"	.1"	±0-100	34245-19	34245B-19	±.001"	±.003"	3.0N or less	✓	✓	✓
.001"	3"	.1"	±0-100	34265-19	34265B-19	±.001"	±.005"	3.0N or less	✓	✓	✓
.001"	4"	.1"	±0-100	34285-19	34285B-19	±.001"	±.005"	3.2N or less	✓	✓	✓

Metric Stem 3/8" DIA. #4-48 UNF Thread, Yellow dial face ANSI/AGD type

Graduation	Range	Range /rev	Dial reading	Order No.		Accuracy		Measuring Force			
				W/ lug	Flat-back	First 2.5 Rev	Overall Accuracy				
0.01mm	30mm	1mm	±0-100	30525-11	30525B-11	±0.01mm	±0.03mm	2.5N or less	✓	✓	✓
0.01mm	50mm	1mm	±0-100	30585-11	30585B-11	±0.01mm	±0.04mm	3.0N or less	✓	✓	✓

Metric Stem ø 8mm M2.5x0.45 Thread ISO/JIS type

Graduation	Range	Range /rev	Dial reading	Order No.		Accuracy	Measuring Force				
				W/ lug	Flat-back						
0.001mm	1mm	0.2mm	0-10-0	31095-10	31095B-10	±0.005mm	1.5N or less	✓	✓		
0.01mm	10mm	1mm	0-100	30465	30465B	±0.015mm	1.4N or less				
0.01mm	10mm	1mm	0-50-0	30475	30475B	±0.015mm	1.4N or less				
0.01mm	20mm	1mm	0-100	30505	30505B	±0.020mm	2.0N or less				✓
0.01mm	30mm	1mm	0-100	30525-19	30525B-19	±0.025mm	2.5N or less	✓	✓	✓	
0.01mm	50mm	1mm	0-100	30585-19	30585B-19	±0.035mm	3.0N or less	✓	✓	✓	
0.01mm	80mm	1mm	0-100	30605-19*	30605B-19*	±0.045mm	3.0N or less	✓	✓	✓	
0.01mm	100mm	1mm	0-100	30625-19*	30625B-19*	±0.050mm	3.2N or less	✓	✓	✓	

*use in a vertical position only



Shockproof type



w/ coaxial revolution counter



w/ damper at lowest rest point



Jeweled bearing type

Optional Accessories

- : Backs (See page F-33.)
- : Contact points (See page F-34.)

Dial Indicators

SERIES 4 — Large Dial Face

- Dial gages with a large-diameter (92mm / 3.62") graduation face for easy reading.
- All types come standard with limit pins and an outer frame clamp.



4046S



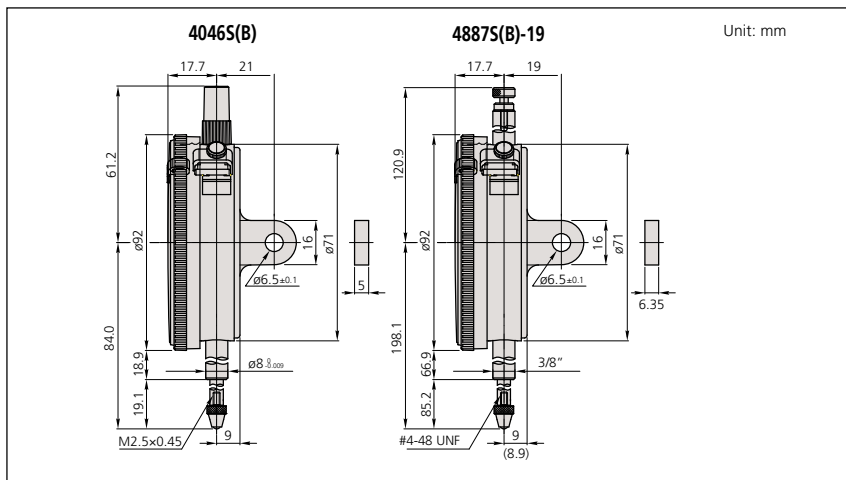
4887S-19

SPECIFICATIONS

Inch		Stem 3/8" DIA. #4-48 UNF Thread				Accuracy		Measuring Force			
Graduation	Range	Range /rev	Dial reading	Order No.		First 2.5 Rev	Overall accuracy				
.001"	3"	.1"	±0-100	4887S-19	4887SB-19	±.001"	±.005"	3.0N or less	✓	✓	✓

Metric		Stem ø 8mm M2.5x0.45 Thread				Accuracy		Measuring Force		
Graduation	Range	Range /rev	Dial reading	Order No.		First 2.5 Rev	Overall accuracy			
0.01mm	10mm	1mm	0-100	4046S	4046SB	± 0.01mm	± 0.015mm	1.4N or less	✓	✓

DIMENSIONS



Optional Accessories

- : Backs (See page F-33.)
- : Contact points (See page F-34.)



Back Plunger Dial Indicators

SERIES 1 and 2

Mitutoyo's back-plunger dial indicators are built with the measuring spindles on the back of the units. This type of indicator offers the same precision and durability as all other Mitutoyo dial indicators, and operates effectively with optional holding bars.

- Back-plunger dial gages are suitable for mounting onto leveling machine tool tables or inspection jigs, and for use in small spaces where the graduations of standard dial gages are difficult to see.
- Model No. 1960T, which uses Mitutoyo's proprietary shock-proofing mechanism, has excellent durability and shock resistance.



One revolution type



Shockproof type



Jeweled bearing type

Optional Accessories

- 136567:** Holding bar (ø6mm, L=81mm)
136568: Holding bar (ø8mm, L=81mm)
124625: Holding bar (.25" DIA, L=3.19")

- : Backs (See page F-31.)
 —: Contact points (See page F-34.)

SPECIFICATIONS

Inch Series 1 Stem 3/8" dia., #4-48 UNF Thread ANSI/AGD type

Graduation	Range	Range / Rev	Dial reading	Order No.	Accuracy	Measuring Force			
.001"	.04"	.05"*	20-0-20	1961T	±.001"	0.4 - 1.4N	✓	✓	
.001"	.2"	.05"	0-50	1166T	±.001"	0.4 - 1.4N			
.001"	.2"	.05"	0-25-0	1167T	±.001"	0.4 - 1.4N			
.001"	.2"	.05"	50-0	1168T	±.001"	0.4 - 1.4N			✓

*Full stroke

Metric Series 1 Stem ø8mm, M2.5x0.45 Thread ISO/JIS type

Graduation	Range	Range / Rev	Dial reading	Order No.	Accuracy	Measuring Force				Remarks
0.01mm	1mm	1.27mm*	50-0-50	1960T	±0.014mm	0.4 - 1.4N	✓	✓		—
0.01mm	5mm	1mm	0-100	1160T	±0.016mm	0.4 - 1.4N				—
0.01mm	5mm	1mm	100-0	1162T	±0.016mm	0.4 - 1.4N			✓	—

*Full stroke

Inch Series 2 Stem 3/8" dia., #4-48 UNF Thread ANSI/AGD type

Graduation	Range	Range/full stroke	Dial reading	Order No.	Accuracy	Measuring Force			
.0001"	.008"	.01"	4-0-4	2991T-10	±.0002"	0.4 - 1.5N	✓	✓	✓
.0005"	.04"	.05"	20-0-20	2961T	±.0005"	0.4 - 1.4N	✓	✓	

Metric Series 2 Stem ø8mm, M2.5x0.45 Thread ISO/JIS type

Graduation	Range	Range/full stroke	Dial reading	Order No.	Accuracy	Measuring Force			
0.001mm	0.1mm	0.14mm	50-0-50	2990T-10	±0.005mm	0.4 - 1.5N	✓	✓	✓
0.01mm	1mm	1.27mm	50-0-50	2960T	±0.014mm	0.4 - 1.4N	✓	✓	

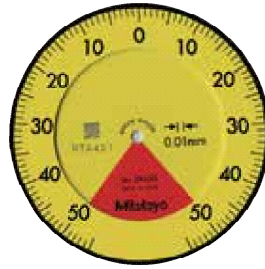
Back Plunger Dial Indicators

SERIES 1 and 2



2960T

Balanced scale



Graduation: 0.01mm,
Measuring range: 1mm

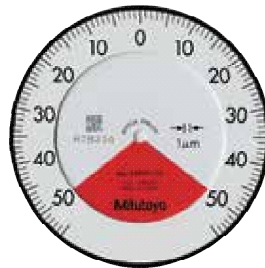
2960T

- One revolution
- Shockproof
- Back plunger



2990T-10

Balanced scale

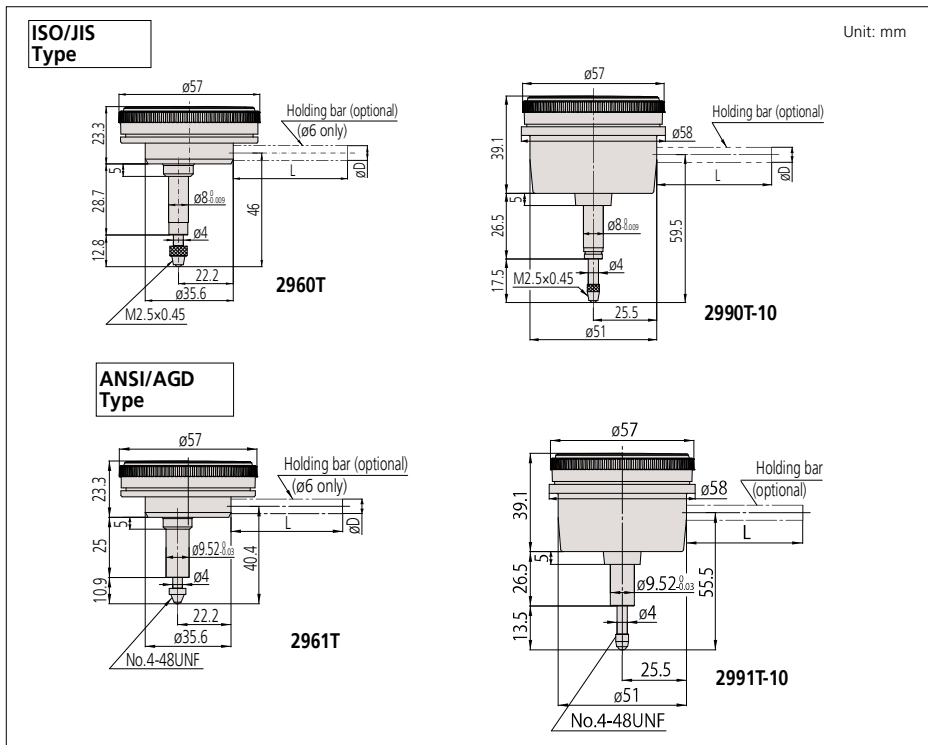


Graduation: 0.01mm,
Measuring range: 1mm

2990T-10

- One revolution
- Shockproof
- Back plunger
- Jeweled bearing

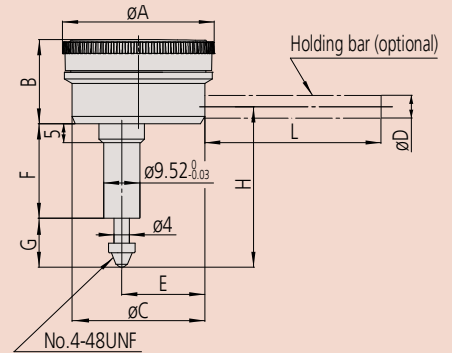
DIMENSIONS



DIMENSIONS

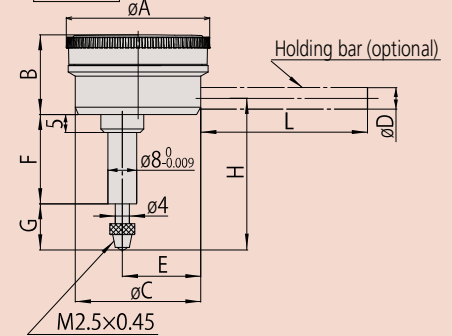
ANSI/AGD Type

Unit: mm



Order No.	A	B	C	E	F	G	H
1166T	40	22.1	35.6	22.2	25	10.9	42
1167T	40	22.1	35.6	22.2	25	10.9	42
1168T	40	22.1	35.6	22.2	25	10.9	42
1961T	40	22.1	35.6	22.2	25	10.9	40

ISO/JIS Type



Order No.	A	B	C	E	F	G	H
1160T	40	22.1	35.6	22.2	25	13.8	43.3
1162T	40	22.1	35.6	22.2	25	13.8	43.3
1960T	40	22.1	35.6	22.2	28.7	12.8	46

Note 1: Refer to pages F-34 to F-35 for contact point details.
Note 2: Dimensions of the inch (ANSI/AGD Type) dial indicator partly differ from those of the metric (ISO/JIS Type) indicator.

Note 3: Inch (ANSI/AGD Type) dial indicators are provided with a stem of 3/8" dia. and #4-48UNF thread mount for the contact point.

Holding bar (optional)

Order No.	øD	L
21AAA166	ø6mm	42mm
136567	ø6mm	81mm
124625	ø6.35mm	81mm
21AAA167	ø6.35mm	42mm
21AAA168	ø8mm	42mm
136568	ø8mm	81mm

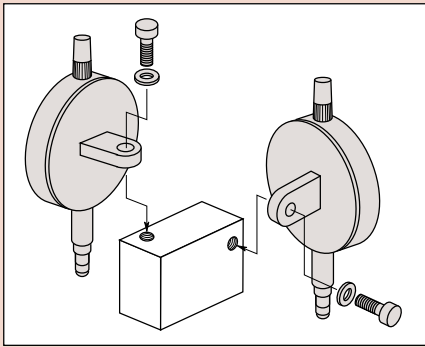
* øD and L: detail shown in drawing below.

Backs

Optional Accessory for Digimatic and Dial Indicators

There are two ways to support Digimatic and dial indicators--by either holding the stem or the lug on the back of the indicator. The back of the indicator may need to be replaced for special applications. A variety of backs are available for Mitutoyo Digimatic and dial indicators.

Application






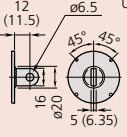

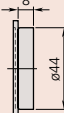

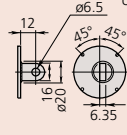

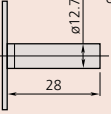

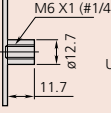

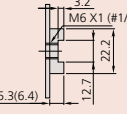

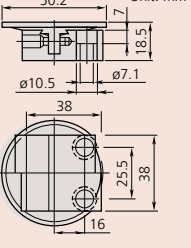
ID-S (543-6xx only)**

- 02ACB420:** Lug-on-center back for ISO/JIS type
- 02ACB430:** Lug-on-center back for AGD type
- 02ACB440:** Flat back
- 02ACB610:** Back with post
- 02ACB620:** Adjustable back for AGD type
- 02ACB630:** Adjustable back (ISO/JIS type)
- 02ACB640:** Back with offset lug
- 02ACB650:** Magnetic back
- 02ACB660:** Back with screw mount for AGD type
- 02ACB670:** Back with screw mount (ISO/JIS type)
- 02ACB680:** Back with adjustable bracket

**Includes the required adapter.



SPECIFICATIONS

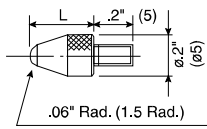
Description	Order No.	Series 0	Series 1	Series 2	Series 3, 4
		(ϕ 31mm) 1003 (ϕ 36mm)	(ϕ 41mm)	ID-C (all types), ID-F, ID-H ID-S (excludes 543-6xx) (ϕ 57mm)	(ϕ 77, 91mm)
Flat Back 	 Unit: mm	191559: a=1.0 137906: for 1003 a=1.0	101211: a=2.2 136872: for water-proof type 191559: for 1911, 1913-10	101039: a=2.5 21AZB231: for waterproof of S type	100836: a=3.0
Lug-on-Center Back 	 Unit: mm	190561: Metric type 190139: Inch type 137905: for 1003	101210: metric type 101307: inch type 190561: for 1911, 1913-10	101040: metric type 101306: inch type 21AZB230: for waterproof of S type	100691: metric type 100797: inch type
Magnetic Back 	 Unit: mm	—	Special order	900928	900929
Back with Offset Lug 	 Unit: mm	—	Special order	101167	100837
Back with Post 	 Unit: mm	—	193172	101169	100839
Back with Screw Mount 	 Unit: mm	—	193173: M6x1, 193174: #1/4-28UNF,	136023: M6x1 101170: #1/4-28UNF	136024: M6x1 100840: #1/4-28UNF
Adjustable Back 	 Unit: mm	—	136025: M6x1 129721: #1/4-20UNC	136026: M6x1 101168: #1/4-20UNC	136027: M6x1 100838: #1/4-20UNC
Back with Adjustable Bracket 	 Unit: mm	—	—	129902: Dovetail Rack Back 901964: Dovetail bracket for rack back	—

(): ANSI / AGD Type

Contact Points

Optional Accessories for Digimatic and Dial Indicators and Linear Gages

ø.118" (ø3mm) Ball point



4-48UNF

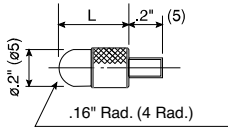
L	Carbide	Sapphire	Ruby	Plastic
.25"	21BZB005*	—	—	—
.28"	—	—	—	902018
.3"	131262	131263	131264	—
.6"	131265	131266	131267	—
1"	131268	131269	131270	—

M2.5 x 0.45mm

L	Carbide	Sapphire	Ruby	Plastic
7.3mm	901312*	—	—	901994
8mm	120045	120046	120047	—
15mm	120049	120050	120051	—
25mm	120053	120054	120055	—

*Furnished with standard metric dial indicators.

Shell point



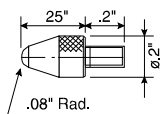
4-48UNF

L	Order No.
3/32" (.094")	193697
5/32" (.156")	101184
1/4" (.25")	21AAA031
3/8" (.375")	21AAA032
1/2" (.5")	101185
5/8" (.625")	21AAA033
3/4" (.75")	101186
7/8" (.875")	21AAA034
1"	101187
1 1/4" (1.25")	21AAA035
1 1/2" (1.5")	21AAA036
1 3/4" (1.75")	21AAA037
2"	21AAA038
2 1/4" (2.25")	21AAA039
2 1/2" (2.5")	21AAA040
2 3/4" (2.75")	21AAA041
3"	21AAA042

M2.5 x 0.45mm

L	Order No.
5mm	101386
10mm	101118
15mm	137393
20mm	101387
25mm	101388
30mm	21AAA254

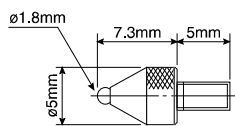
ø.16 Ball Point



4-48UNF

Order No.
21BZB005

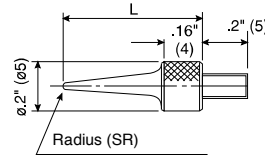
ø1.8mm Ball Point



M2.5 x 0.45mm

Order No.
101122

Needle point



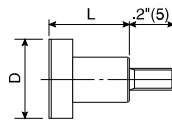
4-48UNF

L	Order No.	SR
.6"	21AAA030	.016"
1"	21AAA046	.016"
1 1/2"	21AAA047	.016"
2"	21AAA048	.016"

M2.5 x 0.45mm

L	Order No.	SR
15mm	101121	0.4
17mm	137413	0.2

Flat point



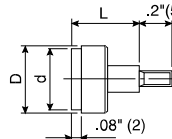
4-48UNF

D	L	Order No.
ø1/2"	3/8"	101188
ø3/8"	3/8"	101189

M2.5 x 0.45mm

D	L	Order No.
ø10mm	10mm	101117

Flat-point, Carbide tip



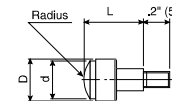
4-48UNF

D	d	L	Order No.
ø.2"	ø.17"	.2"	131259
ø.27"	ø.25"	.4"	131260
ø.41"	ø.37"	.4"	131261

M2.5 x 0.45mm

D	d	L	Order No.
ø5.2mm	ø4.3mm	5mm	120041
ø7mm	ø6.5mm	10mm	120042
ø10.5mm	ø9.5mm	10mm	120043

Spherical-point, Carbide tip



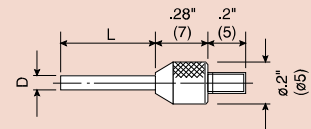
4-48UNF

D	d	Radius	L	Order No.
ø.2"	ø.17"	.2"	.2"	131273
ø.27"	ø.16"	.16"	.4"	131274
ø.41"	ø.37"	.4"	.4"	131275

M2.5 x 0.45mm

D	d	Radius	L	Order No.
ø5.2mm	ø4.3mm	5mm	5mm	120058
ø7mm	ø6.5mm	7mm	10mm	120059
ø10.5mm	ø9.5mm	10mm	10mm	120060

Needle point, Carbide tipped



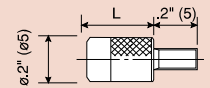
4-48UNF

D	L	Order No.
ø.018"	.12"	131281
ø.04"	.12"	131280
ø.06"	.5"	131279
ø.078"	.04"	131271

M2.5 x 0.45mm

D	L	Order No.
ø0.45mm	2.5mm	120066
ø1mm	2.5mm	120065
ø1.5mm	13mm	120064
ø2mm	1mm	120056
ø2mm	8mm	137257

ø.2" (ø5mm) Flat point



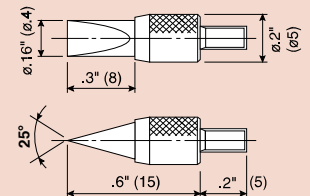
4-48UNF

L	Order No.
5/16"	133017
1/2"	21AAA043
3/4"	21AAA044
1"	21AAA045

M2.5 x 0.45mm

L	Order No.
8mm	131365

Knife-edge point, Carbide tipped



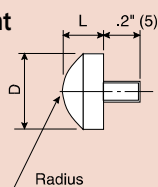
4-48UNF

Order No.
131282

M2.5 x 0.45mm

Order No.
120067

Spherical point



4-48UNF

D	L	Radius	Order No.
ø.5"	.125"	.28"	101205
ø.375"	.09375"	.35"	101204

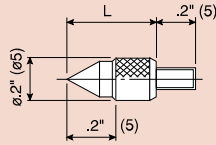
M2.5 x 0.45mm

D	L	Radius	Order No.
ø10mm	5mm	7mm	101119

Contact Points

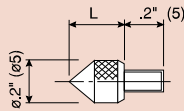
Optional Accessories for Digimatic and Dial Indicators and Linear Gages

60° Conical point



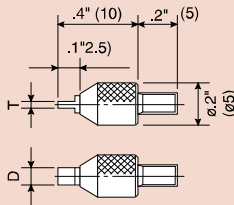
4-48UNF		M2.5 x 0.45mm	
L	Order No.	L	Order No.
1/2"	101190	10mm	101120

90° Conical point



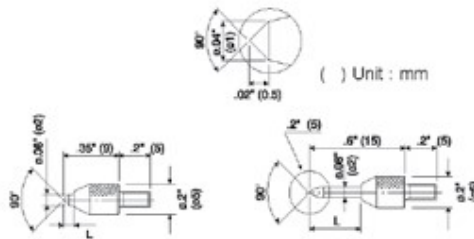
4-48UNF		M2.5 x 0.45mm	
L	Order No.	L	Order No.
1/4"	101191	5mm	101385

Blade point, Carbide tip



4-48UNF			M2.5 x 0.45mm		
D	T	Order No.	D	T	Order No.
.08"	.016"	131276	2mm	0.4mm	120061
.08"	.024"	131277	2mm	0.6mm	120062
.16"	.04"	131278	4mm	1mm	120063

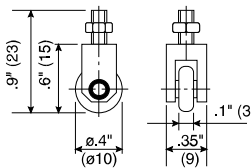
90° Conical point, Carbide tipped



4-48UNF		4-48UNF	
L	Order No.	L	Order No.
.08"	131272	.3"	131283

M2.5 x 0.45mm		M2.5 x 0.45mm	
L	Order No.	L	Order No.
2mm	120057	8mm	120068

Roller Point



4-48UNF		M2.5 x 0.45mm	
Order No.	Order No.	Order No.	Order No.
901991	901954	901991	901954

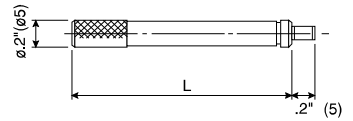
Interchangeable Contact Point Set (M2.5x0.45)

Set Order No. 7822



Individual No.	Description
131365	Flat Point (ø5mm)
101117	Flat Point (ø10mm)
101121	Needle Point
101119	Spherical Point
101118	Shell Type Point
101387	Shell Type Point

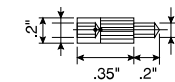
Extension Rod



4-48UNF		M2.5 x 0.45mm	
L	Order No.	L	Order No.
1/2"	139167	10mm	303611
1"	301655	15mm	21AAA259A
2"	301657	20mm	303612
4"	301659	25mm	21AAA259B
		30mm	303613
		35mm	21AAA259C
		40mm	21AAA259D
		45mm	21AAA259E
		50mm	21AAA259F
		55mm	21AAA259G
		60mm	304146
		65mm	21AAA259H
		70mm	21AAA259J
		75mm	21AAA259L
		80mm	21AAA259M
		90mm	304147
		100mm	303614

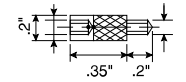
Point Conversion

M2.5 x 0.45mm 4-48 UNFI



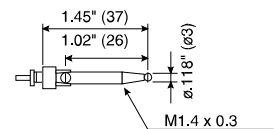
Order No.
21AAA011

4-48 UNFI M2.5 x 0.45mm



Order No.
21AAA012

Lever Point



4-48UNF		M2.5 x 0.45mm	
Order No.	Order No.	Order No.	Order No.
900393	900393	900391	900391

Spindle Lifting Lever and Cable

Optional Accessories for Digimatic and Dial Indicators

Spindle Lifting Lever

- The Spindle Lifting Lever is attached to the top end of the spindle for improved inspection efficiency when using a dial indicator mounted on a stand.

Applicable S-Type Thickness and Depth Gages

Order No.	Description
21AZB149	Depth gages up to 12.7mm/.5"
21AZB150	Depth gages up to 25mm/1"
21AZB151	S-Type thickness gage



Dove Tail Type Lever Assembly

Order No.	Lever up to .5" / 12.7mm	Screw	Screw Thread
21EZA198	21AZB149	101171	M2.5
21EZA199	21AZB149	101047	4/48 UNF



ANSI Screw **101047**
JIS Screw **101171**

Spindle Lifting Cable

- 901975:** with auto-stop function
 - 540774:** without auto-stop function
 - 971753:** With release-speed control
- Lifting range: 1" / 25.4mm
Cable length: 300mm



Spindle Lifting Pick

- 137693**
- Applicable spindle diameter; 4.8mm



Use for Series 1 Dial Indicators (up 5mm / .25")

Set Order No.	Lever	Screw	Screw Thread
21BZA610	900527	101047	4-48 UNF
21BZA205	900527	101171	M2.5 x 0.45



Use for Series 2 Dial Indicators (up to 10mm/.4")

Set Order No.	Lever	Screw	Screw Thread
902794	900525	101047	4-48 UNF
902011	900525	101171	M2.5 x 0.45



Use for Series 2 Dial Indicators (up to 10mm/.4") and 1 Group S-Type

Set Order No.	Lever	Screw	Screw Thread
21BZA613	21BZA612	101047	4-48 UNF
902100	21BZA612	101171	M2.5 x 0.45



Use for Series 2 Dial Indicators (up to 20mm/.8") and Series 3 and 4 Dial Indicators (up to 10mm/.4")

Set Order No.	Lever	Screw	Screw Thread
903425	903307	192753	4-48 UNF
903424	903307	192686	M2.5 x 0.45

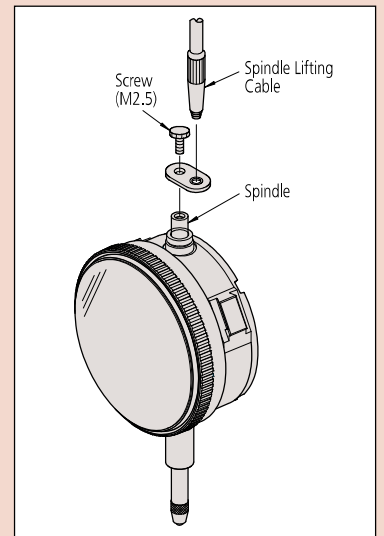
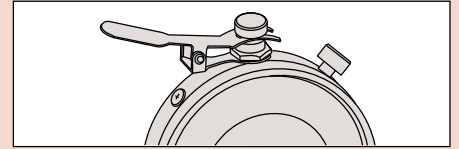
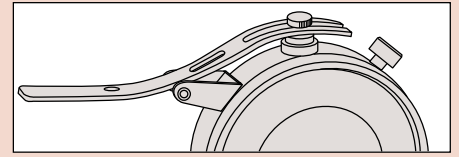


Spindle Lifting Knob

Set Order No.	Range
21EZA197	For 1" range
21EZA200	For 2" range



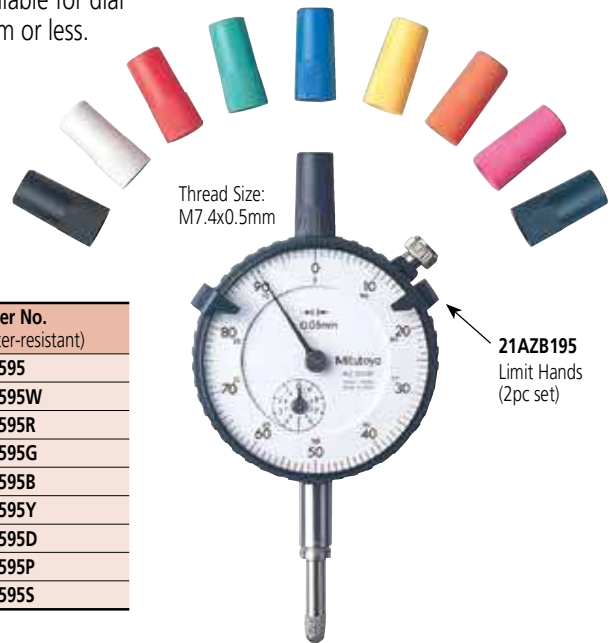
Application



Color Spindle Caps

Optional Accessories for Digimatic and Dial Indicators

8 colors of spindle caps are available for dial indicators with a range of 10mm or less.



SPECIFICATIONS

Color	Order No. (normal)	Order No. (water-resistant)
Black	193051	193595
White	193051W	193595W
Red	193051R	193595R
Green	193051G	193595G
Blue	193051B	193595B
Yellow	193051Y	193595Y
Orange	193051D	193595D
Pink	193051P	193595P
Dark blue	193051S	193595S

Limit Stickers

Optional Accessories for Digimatic and Dial Indicators

FEATURES

- Stuck on the dial face or crystal of a Series 2 dial indicator (55.6mm or 57mm bezel dia.) to indicate tolerance limits.



136420: Red (10-sheet/set)



136421: Green (10-sheet/set)



136422: Yellow (10-sheet/set)

Dial Indicator Repair Tool Kit

Optional Accessories for Digimatic and Dial Indicators

Mitutoyo offers a tool set designed to let you perform simple repairs to your Mitutoyo dial indicator, as well as a device that lets you reset the indicator crystals.



SPECIFICATIONS

Order No.	Description
7823EU	Dial indicator repair tool kit

Dial Crystal Setter

Optional Accessories for Dial Indicators

FEATURES

- Used for fitting a crystal on dial indicators, dial test indicators and dial calipers.

SPECIFICATIONS

Order No.	Description
7000	Dial indicator crystal setter



With 8 sizes of crystal setting pads

Order No. 7823U

Set Configuration

- | | | |
|------|-----------|-----------------------------------|
| (1) | 901173: | Screwdriver (Phillips) |
| (2) | 901174: | Screwdriver (Phillips/flat blade) |
| (3) | 129729: | Tweezers |
| (4) | 901175: | Pin-vise |
| (5) | 901176: | Brush |
| (6) | 21JAA314: | Stick |
| (7) | 901177: | Brush |
| (8) | 901178: | Hammer |
| (9) | 129730: | Spindle rest |
| (10) | 129731: | Pin rest |
| (11) | 901179: | Nippers |
| (12) | 901180: | Pliers |
| (13) | 126628: | Hand remover (main unit) |
| | 126630: | Interchangeable Pin, 0.8mm DIA. |
| | 126630B: | Interchangeable Pin, 0.5mm DIA. |
| | 126630C: | Interchangeable Pin, 1.6mm DIA. |
| | 100699: | Nut |
| (14) | 129732: | Pin remover |
| (15) | 129733: | Punch |
| (16) | 129734: | Bearing adjuster |
| (17) | 129735: | Pinion rest |
| (18) | 129736: | Reamer ø1 |
| | 193702: | Reamer ø0.6 |
| | 21JAA273: | Reamer ø0.5 |
| (19) | 901182: | Case |