

# Micrometer

The origin of Mitutoyo's trustworthy brand of small tool instruments

## Quick-Mini SERIES 700

- Lightweight and palm-sized.
  - Highly suitable for quick dimensional inspection of small, thin and delicate objects.
  - Functions: origin setting and zero-setting.
- Application examples  
Measurement of small objects: pearls, jewels, shims for engine tappets and screws.  
Measurement of thin objects: printing paper, polyethylene bags, sheet materials, foods including noodles, lenses for glasses, media substrates, foils, thin plates and medical products including filter cloths.  
Measurement of fine lines and bars: fishing lines, dental reamers, pasta, drills for PCB and hard wiring.



700-119-20

## SPECIFICATIONS

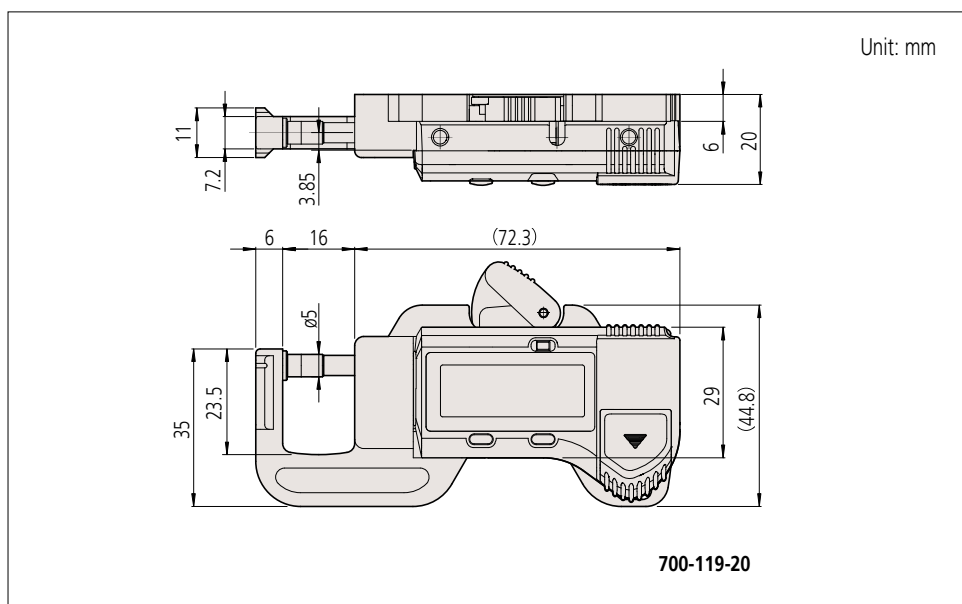
Metric				
Order No.	Range	Resolution	Accuracy*	Mass
700-119-20	0 - 12mm	0.01mm	±0.02	70 g

\* Excluding quantizing error

Inch/Metric				
Order No.	Range	Resolution	Accuracy*	Mass
700-118-20	0" - 5" / 0 - 12mm	.0005" / 0.01mm	±.001"	70 g

\* Excluding quantizing error

## DIMENSIONS



700-119-20



## Technical Data

SR44 (1 pc), 938882, for initial operational checks (standard accessory)