

ABSOLUTE™ (Refer to page X for details.)

IP66 (Refer to page X for details.)

**TÜVRheinland
CERTIFIED**
www.tuv.com
ID 0000022582

ABSOLUTE Coolant Proof Carbon Fiber Caliper SERIES 552 — with Standard jaws

- IP66 Absolute Digital Caliper (Refer to page D-8 for Absolute function.)
- Lightweight Digimatic Calipers that employ CFRP (Carbon Fiber Reinforced Plastics) in the beam and jaws.
- Allows integration into statistical process control and measurement systems for models with measurement data output connector. Refer to page A-3.



552-303-10

Technical Data

Accuracy: Refer to the list of specifications.
(excluding quantizing error)
Resolution: 0.01mm or .0005"/0.01mm
Material of jaws: Stainless Steel Hardened
Display: LCD
Scale type: ABSOLUTE electromagnetic induction linear encoder
Max. response speed: Unlimited
Battery: **SR44** (1 pc), **938882**,
for initial operational checks (standard accessory)
Battery life: Approx. 5,000 hours in continuous use
Dust/Water protection level: IP66 (IEC60529)*
Standard accessory: Jaw clamps (2 pcs.), 05GZA033
* This model is not waterproof type. Please wipe away the wet after use.

Functions

Zero-setting
Data hold
Offsetting
Presetting
Data output
Low-power and low-voltage alert
Counting value composition error
Automatic power on/off, inch/mm reading
(inch/mm models)

SPECIFICATIONS

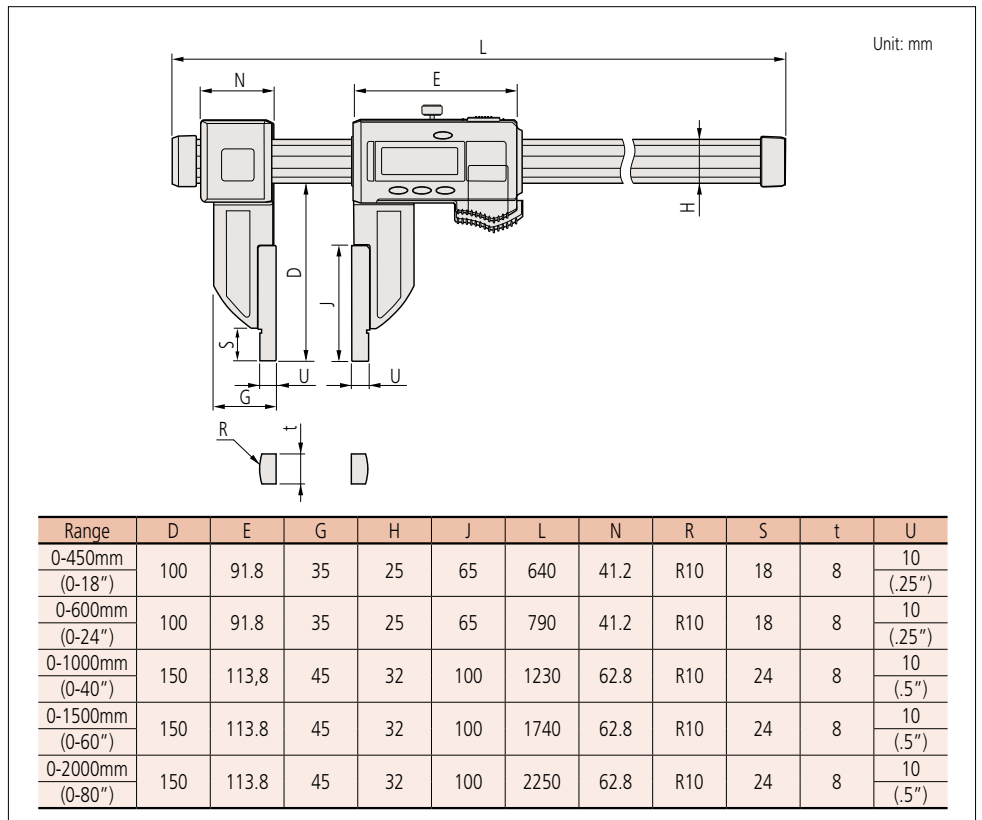
Metric			
Order No.	Range*	Accuracy	
552-302-10	0 - 450mm (20.1 - 470mm)	±0.04mm	
552-303-10	0 - 600mm (20.1 - 620mm)	±0.04mm	
552-304-10	0 - 1000mm (20.1 - 1020mm)	±0.05mm	
552-305-10	0 - 1500mm (20.1 - 1520mm)	±0.09mm	
552-306-10	0 - 2000mm (20.1 - 2020mm)	±0.12mm	

* () : Dimension in inside measurement

Inch/Metric			
Order No.	Range*	Accuracy	
552-312-10	0 - 18" (.504 - 18.5")	±.002"	
552-313-10	0 - 24" (.504 - 24.5")	±.002"	
552-314-10	0 - 40" (1.004 - 40.5")	±.002"	
552-315-10	0 - 60" (1.004 - 60.5")	±.004"	
552-316-10	0 - 80" (1.004 - 80.5")	±.005"	

* () : Dimension in inside measurement

DIMENSIONS



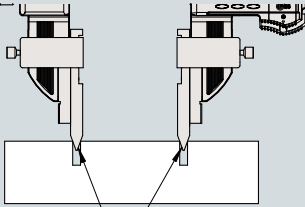


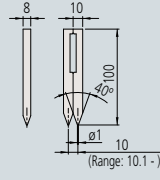
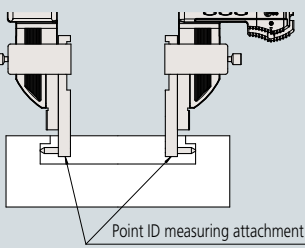

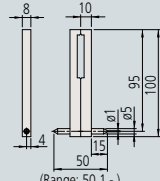
Calipers

An industry standard in measuring tools

Optional accessories

Metric		
	No. 552-302-10, 552-155-10, 552-303-10 and 552-156-10.	No. 552-304-10 and 552-305-10
Clamp box (1 pair)	No.914053	No.914054
Distance measurement jaw (1 pair)		No.914055
Point ID measuring attachment		No.914057

Inch/Metric		
	No. 552-312-10, 552-165-10, 552-313-10 and 552-166-10	No. 552-314-10, 552-315-10, 552-316-10
Clamp box (1 pair)	No.914053	No.914054
Distance measurement jaw (1 pair)		No.914056
Point ID measuring attachment		No.914058

	Clamp box 
	Distance measurement jaw Accuracy: ±0.03mm  
	Point ID measuring attachment Accuracy: ±0.02mm  

Optional accessories

For details, refer to page D-39.

Connecting cables for **IT/DP/MUX**

05CZA624: SPC cable with data button (1m)

05CZA625: SPC cable with data button (2m)



USB Input Tool Direct

06ADV380A: SPC cable for **USB-ITN-A** (2m)

Connecting cables for **U-WAVE-T**

02AZD790A: SPC cable for U-WAVE with data button (160mm)

02AZE140A: SPC cable for footswitch

ABSOLUTE™ (Refer to page X for details.)

IP66 (Refer to page X for details.)

**TÜVRheinland
CERTIFIED**
www.tuv.com
ID 0000022582

Technical Data

Accuracy: Refer to the list of specifications.
(excluding quantizing error)
Resolution: 0.01mm or .0005"/0.01mm
Material of jaws: Stainless Steel Hardened
Display: LCD
Scale type: ABSOLUTE electromagnetic induction linear encoder
Max. response speed: Unlimited
Battery: **SR44** (1 pc, **938882**,
for initial operational checks (standard accessory)
Battery life: Approx. 5,000 hours in continuous use
Dust/Water protection level: IP66 (IEC 60529)*
Standard accessory: Jaw clamps (2 pcs.), 05GZA033
*This model is not waterproof type. Please wipe away
the wet after use.

Functions

Zero-setting
Data hold
Offsetting
Presetting
Data output
Low-power and low-voltage alert
Counting value composition error
Automatic power on/off, inch/mm reading
(inch/mm models)

Optional accessories

For details, refer to page D-39.
Connecting cables for **IT/DP/MUX**
05CZA624: SPC cable with data button (1m)
05CZA625: SPC cable with data button (2m)



USB Input Tool Direct

06ADV380A: SPC cable for **USB-ITN-A** (2m)
Connecting cables for **U-WAVE-T**
02AZD790A: SPC cable for U-WAVE with data button
(160mm)
02AZE140A: SPC cable for footswitch

ABSOLUTE Coolant Proof Carbon Fiber Caliper SERIES 552 - with Long Jaws

- IP66 Absolute Digital Caliper (Refer to page D-8 for a description of Absolute measurement.)
- Lightweight Digimatic Calipers that employ CFRP (Carbon Fiber Reinforced Plastics) in the beam and jaws.
- Allows integration into statistical process control and measurement systems for models with measurement data output connector. Refer to page A-3.



552-151-10



SPECIFICATIONS

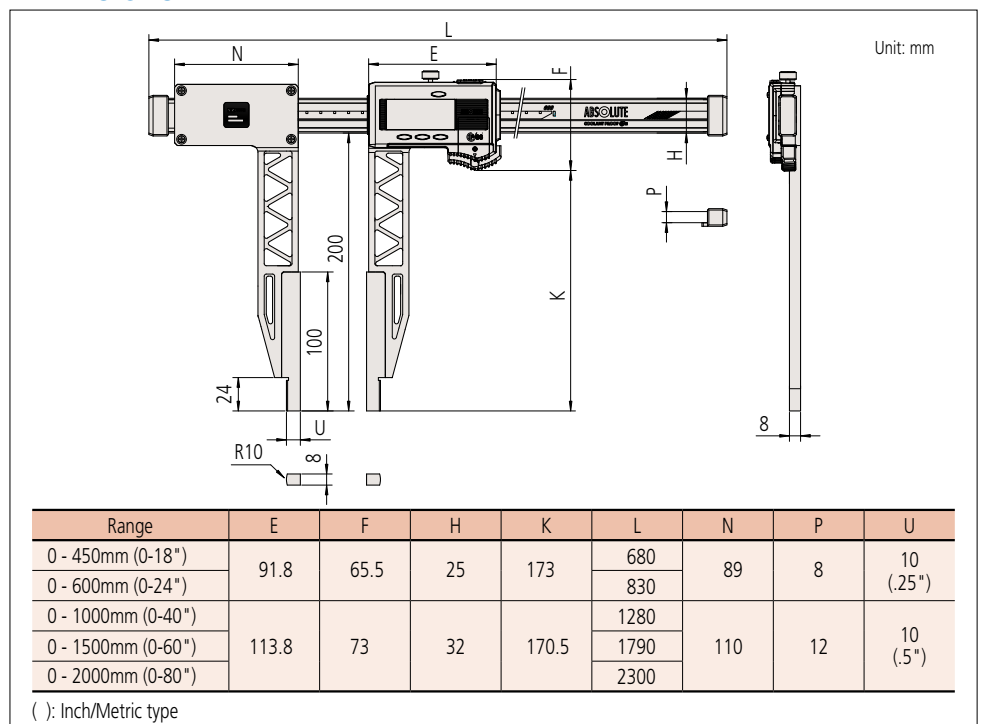
Metric		
Order No.	Range*	Accuracy
552-150-10	0 - 450mm (20.1 - 470mm)	±0.06mm
552-151-10	0 - 600mm (20.1 - 620mm)	
552-152-10	0 - 1000mm (20.1 - 1020mm)	±0.07mm
552-153-10	0 - 1500mm (20.1 - 1520mm)	±0.11mm
552-154-10	0 - 2000mm (20.1 - 2020mm)	±0.14mm

* () : Dimension in inside measurement

Inch/Metric		
Order No.	Range*	Accuracy
552-160-10	0 - 18" (.504 - 18.5")	±.0025"
552-161-10	0 - 24" (.504 - 24.5")	
552-162-10	0 - 40" (1.004 - 40.5")	±.003"
552-163-10	0 - 60" (1.004 - 60.5")	±.0045"
552-164-10	0 - 80" (1.004 - 80.5")	±.0055"

* () : Dimension in inside measurement

DIMENSIONS



Calipers

An industry standard in measuring tools

ABSOLUTE Coolant Proof Carbon Fiber Caliper SERIES 552 - with Ceramic Jaws

- IP66 Absolute Digital Caliper (Refer to page D-8 for a description of Absolute measurement.)
- Lightweight Digimatic Calipers that employ CFRP (Carbon Fiber Reinforced Plastics) in the beam and jaws.
- Allows integration into statistical process control and measurement systems for models with measurement data output connector. Refer to page A-3.
- The zirconia-ceramic jaws make this caliper suitable for measuring moderately magnetic workpieces. However, since steel is used in the main unit, it may not be suitable for measuring strongly magnetic workpieces.



552-156-10

SPECIFICATIONS

Metric

Order No.	Range*	Accuracy
552-155-10	0 - 450mm (20.1 - 470mm)	±0.04mm
552-156-10	0 - 600mm (20.1 - 620mm)	

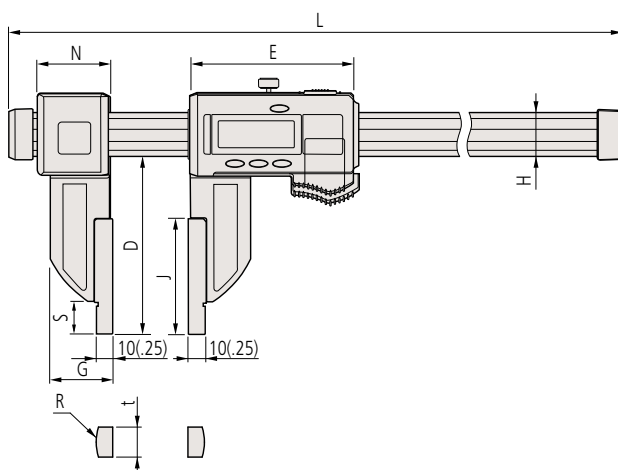
* () : Dimension in inside measurement

Inch/Metric

Order No.	Range*	Accuracy
552-165-10	0 - 18" (.504 - 18.5")	±.002"
552-166-10	0 - 24" (.504 - 24.5")	

* () : Dimension in inside measurement

DIMENSIONS



Unit: mm

Range	D	E	G	H	J	L	N	R	S	t
0-450mm (0-18")	100	91.8	35	25	65	640	41.2	R10	18	8
0-600mm (0-24")	100	91.8	35	25	65	790	41.2	R10	18	8

() : Inch/Metric type

ABSOLUTE™ (Refer to page X for details.)



(Refer to page X for details.)



(Refer to page X for details.)

Technical Data

Accuracy: Refer to the list of specifications.
(excluding quantizing error)
Resolution: 0.01mm or .0005"/0.01mm
Material of jaws: Ceramic
Display: LCD
Scale type: ABSOLUTE electromagnetic induction linear encoder
Max. response speed: Unlimited
Battery: **SR44** (1 pc), **938882**,
for initial operational checks (standard accessory)
Battery life: Approx. 5,000 hours in continuous use
Dust/Water protection level: IP66 (IEC 60529)*
Standard accessory: Jaw clamps (2 pcs.), 05GZA033
*This model is not waterproof type. Please wipe away the wet after use.

Functions

Zero-setting
Data hold
Offsetting
Presetting
Data output
Low-power and low-voltage alert
Counting value composition error
Automatic power on/off, inch/mm reading
(inch/mm models)

Optional accessories

For details, refer to page D-39.
Connecting cables for **IT/DP/MUX**
05CZA624: SPC cable with data button (1m)
05CZA625: SPC cable with data button (2m)



USB Input Tool Direct

06ADV380A: SPC cable for **USB-ITN-A** (2m)
Connecting cables for **U-WAVE-T**
02AZD790A: SPC cable for U-WAVE with data button
(160mm)
02AZE140A: SPC cable for footswitch

ABSOLUTE™ (Refer to page X for details.)

IP66

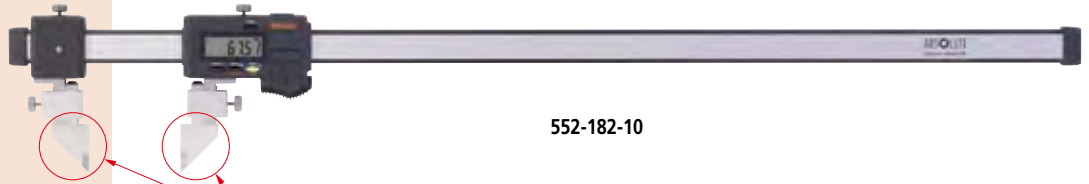
(Refer to page X for details.)



(Refer to page X for details.)

ABSOLUTE Coolant Proof Carbon Fiber Caliper SERIES 552 - with Interchangeable Jaws

- IP66 Absolute Digital Caliper (Refer to page D-8 for a description of Absolute measurement.)
- The range of applications can be expanded by using interchangeable jaws (optional).
- Allows integration into statistical process control and measurement systems for models with measurement data output connector. Refer to page A-3.
- Provided with preset function for setting a desired starting point, which allows direct readout of offset measurement.



Technical Data

Accuracy: Refer to the list of specifications. (excluding quantizing error)

Resolution: 0.01mm or .0005"/0.01mm

Display: LCD

Scale type: ABSOLUTE electromagnetic induction linear encoder

Max. response speed: Unlimited

Battery: **SR44** (1 pc), **938882**,

for initial operational checks (standard accessory)

Battery life: Approx. 5,000 hours in continuous use

Dust/Water protection level: IP66 (IEC 60529)*

Standard accessory: Jaw clamps (2 pcs.), 05GZA033

* Although these models are IP66 rated, care should be taken to dry tool after use.

Functions

Zero-setting

Data hold

Offsetting

Presetting

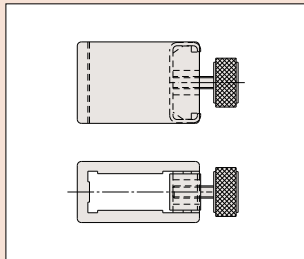
Data output

Low-power and low-voltage alert

Counting value composition error

Automatic power on/off, inch/mm reading (inch/mm models)

Standard accessories (2 pcs)



Jaw clamps: No.05GZA033

Optional accessories

For details, refer to page D-39.

Connecting cables for **IT/DP/MUX**

05CZA624: SPC cable with data button (1m)

05CZA625: SPC cable with data button (2m)



USB Input Tool Direct

06ADV380A: SPC cable for **USB-ITN-A** (2m)

Connecting cables for **U-WAVE-T**

02AZD790A: SPC cable for U-WAVE with data button (160mm)

02AZE140A: SPC cable for footswitch

SPECIFICATIONS

Metric		
Order No.	Range	Accuracy
552-181-10	0 - 450mm	±0.04mm
552-182-10	0 - 600mm	
552-183-10	0 - 1000mm	±0.05mm
552-184-10	0 - 1500mm	±0.09mm
552-185-10	0 - 2000mm	±0.12mm

Inch/Metric		
Order No.	Range	Accuracy
552-191-10	0 - 18"	±.002"
552-192-10	0 - 24"	
552-193-10	0 - 40"	±.004"
552-194-10	0 - 60"	
552-195-10	0 - 80"	±.005"

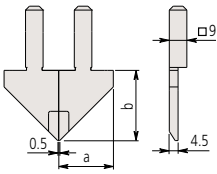
Calipers

An industry standard in measuring tools

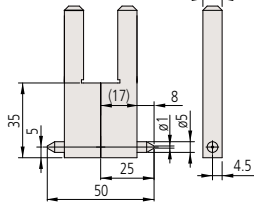
Optional accessories
Interchangeable jaws

SPECIFICATIONS

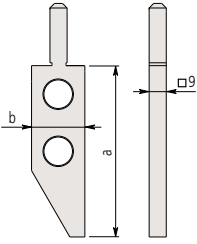
Standard type



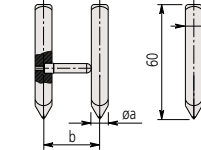
Inside point type



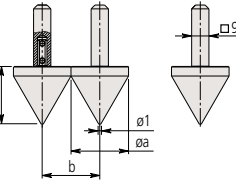
Surface Plate Type



Scriber Type

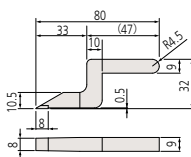


Centerline Type



Unit: mm

Scriber for height gages



Standard Type

Order No.	Components	a	b
07CZA056	Right (07CAA044), Left (07CAA045)	28mm (1.1")	30mm (1.2")

* 1 set

Inside Point Type

Order No.	Components	a	b
07CZA058	07CZA041 x 2pcs.	25mm	50mm
07CZA059	07CZA048 x 2pcs.	1"	2"

Scriber Type

Order No.	Components	a	b
07CZA055	Right (07CZA042), Left (07CZA043)	8mm	30mm
07CZA061	Right (07CZA042), Left (07CZA049)	0.31"	1.2"

Surface Plate Type

Order No.	a	b
07CZA044	90mm (3.5")	28mm (1.1")

Centerline Type

Order No.	Components	a	b
07CZA057	07CZA039 x 2pcs.	30mm	30mm
07CZA060	07CZA047 x 2pcs.	1.2"	1.2"

Note: Entering the appropriate offset value enables the display to indicate the correct measurement value inscribed on the jaws, which should be installed so that this inscription is visible from the display side of the caliper.

Scriber for height gages

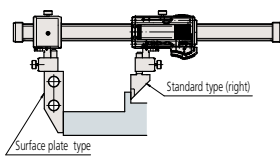
Order No.
07GZA000

Type	Applicable calipers	Range	Accuracy when attached to the caliper
Standard type	552-181-10 (552-191-10)	0 - 450mm (0-18")	±0.06mm (±0.025")
	552-182-10 (552-192-10)	0 - 600mm (0-24")	±0.07mm (±0.030")
	552-183-10 (552-193-10)	0 - 1000mm (0-40")	±0.07mm (±0.030")
	552-184-10 (552-194-10)	0 - 1500mm (0-60")	±0.11mm (±0.045")
Inside point type	552-185-10 (552-195-10)	0 - 2000mm (0-80")	±0.14mm (±0.055")
	552-181-10 (552-191-10)	Inside: 50.1-500mm (2.004-20") Outside: 0 - 450mm (0-18")	±0.09mm (±0.035")
	552-182-10 (552-192-10)	Inside: 50.1-650mm (2.004-26") Outside: 0 - 600mm (0-24")	
	552-183-10 (552-193-10)	Inside: 50.1-1050mm (2.004-42") Outside: 0 - 1000mm (0-40")	±0.10mm (±0.040")
Centerline type	552-184-10 (552-194-10)	Inside: 50.1-1550mm (2.004-62") Outside: 0 - 1500mm (0-60")	±0.14mm (±0.055")
	552-185-10 (552-195-10)	Inside: 50.1-2050mm (2.004-82") Outside: 0 - 2000mm (0-80")	±0.17mm (±0.070")
	552-181-10 (552-191-10)	30.1 - 480mm (1.204-19.2")	±0.08mm (±0.030")
	552-182-10 (552-192-10)	30.1 - 630mm (1.204-25.2")	
552-183-10 (552-193-10)	30.1 - 1030mm (1.204-41.2")		
552-184-10 (552-194-10)	30.1 - 1530mm (1.204-61.2")		
Scriber type	552-185-10 (552-195-10)	30.1 - 2030mm (1.204-81.2")	±0.16mm (±0.065")
	552-181-10 (552-191-10)	30 - 480mm (1.2-19.2")	±0.10mm (±0.040")
	552-182-10 (552-192-10)	30 - 630mm (1.2-25.2")	
	552-183-10 (552-193-10)	30 - 1030mm (1.2-41.2")	
552-184-10 (552-194-10)	30 - 1530mm (1.2-61.2")		
Surface plate type + Scriber type for height gages	552-185-10 (552-195-10)	30 - 2030mm (1.2-81.2")	±0.18mm (±0.070")
	552-181-10 (552-191-10)	0 - 450mm (0-17.7")	±0.10mm (±0.040")
	552-182-10 (552-192-10)	0 - 600mm (0-23.7")	
	552-183-10 (552-193-10)	0 - 1000mm (0-39.4")	
552-184-10 (552-194-10)	0 - 1500mm (0-59.4")		
Surface plate type + Inside point type	552-185-10 (552-195-10)	0 - 2000mm (0-79.6")	±0.18mm (±0.070")
	552-181-10 (552-191-10)	Inside: 25.1 - 475mm (1.004-19") Outside: 0 - 450mm (1-18")	±0.12mm (±0.050")
	552-182-10 (552-192-10)	Inside: 25.1 - 625mm (1.004-25") Outside: 0 - 600mm (1-24")	
	552-183-10 (552-193-10)	Inside: 25.1 - 1025mm (1.004-41") Outside: 0 - 1000mm (1-40")	±0.13mm (±0.055")
Surface plate type + Centerline type	552-184-10 (552-194-10)	Inside: 25.1 - 1525mm (1.004-62") Outside: 0 - 1500mm (1-60")	±0.17mm (±0.070")
	552-185-10 (552-195-10)	Inside: 25.1 - 2025mm (1.004-81") Outside: 0 - 2000mm (1-80")	±0.20mm (±0.080")
	552-181-10 (552-191-10)	15 - 465mm (0.6-18.6")	±0.11mm (±0.045")
	552-182-10 (552-192-10)	15 - 615mm (0.6-24.6")	
552-183-10 (552-193-10)	15 - 1015mm (0.6-40.6")		
552-184-10 (552-194-10)	15 - 1515mm (0.6-60.6")		
Surface plate type + Centerline type	552-185-10 (552-195-10)	15 - 2015mm (0.6-80.6")	±0.19mm (±0.075")

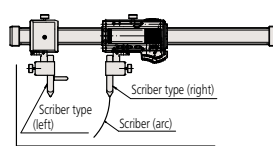
(): Inch/Metric models

Application examples

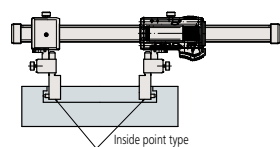
Surface plate type + Standard type



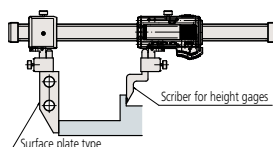
Scriber type



Inside point type



Surface plate type + Scriber for height gages



Surface plate type + Centerline type

