

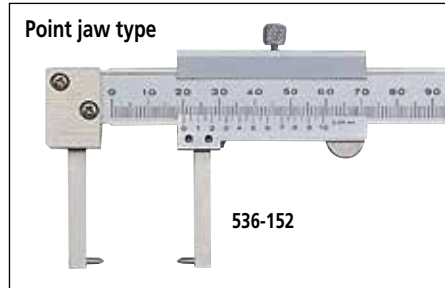
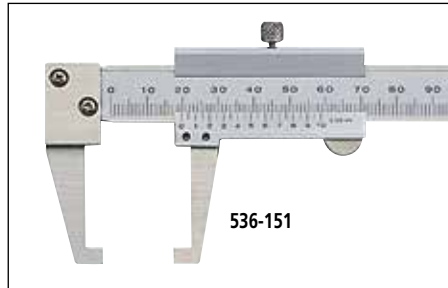
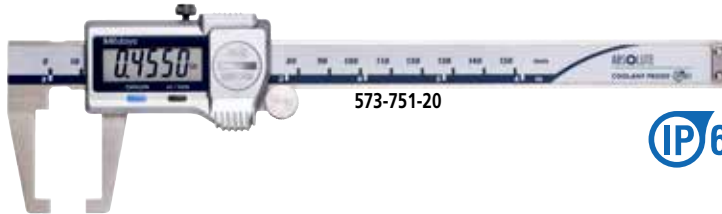
# Neck Caliper

**SERIES 573, 536 — ABSOLUTE Digimatic and Vernier Type**



## FEATURES

- Point-jaw type can measure wall thickness inside bores and recesses.
- Flat-jaw type can measure grooves and recesses.
- With SPC data output. (Series 573)
- Supplied in fitted plastic case.



## SPECIFICATIONS

**Metric** Digital model

| Range     | Order No.          | Accuracy | Resolution | Mass (g) |
|-----------|--------------------|----------|------------|----------|
| 0 - 150mm | <b>573-651-20</b>  | ±0.03mm  | 0.01mm     | 157      |
| 0 - 150mm | <b>573-652-20*</b> | ±0.03mm  | 0.01mm     | 157      |

\*Point jaw type

**Inch/Metric** Digital model

| Range              | Order No.          | Accuracy | Resolution      | Mass (g) |
|--------------------|--------------------|----------|-----------------|----------|
| 0 - 6" / 0 - 150mm | <b>573-751-20</b>  | ±.0015"  | .0005" / 0.01mm | 157      |
| 0 - 6" / 0 - 150mm | <b>573-752-20*</b> | ±.0015"  | .0005" / 0.01mm | 157      |

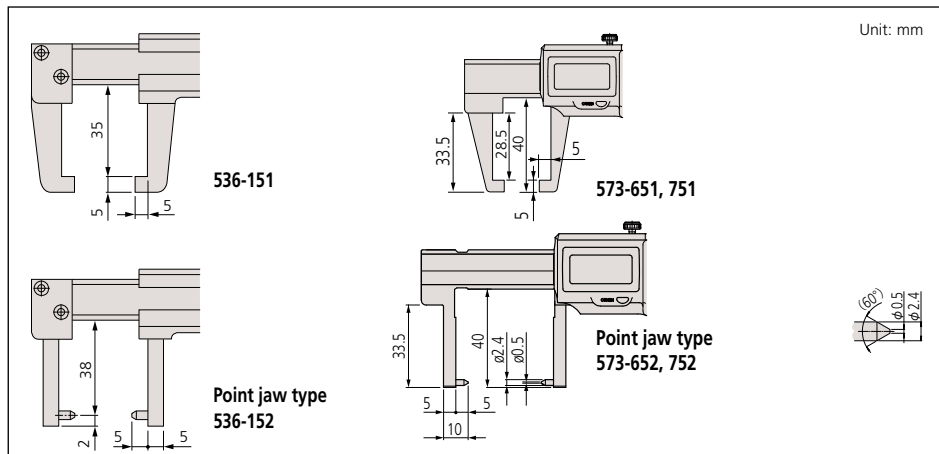
\*Point jaw type

**Metric**

| Range     | Order No.       | Accuracy | Graduation | Mass (g) |
|-----------|-----------------|----------|------------|----------|
| 0 - 150mm | <b>536-151</b>  | ±0.05mm  | 0.05mm     | 140      |
| 0 - 150mm | <b>536-152*</b> | ±0.05mm  | 0.05mm     | 140      |

\*Point jaw type

## DIMENSIONS



## Technical Data

Accuracy: Refer to the list of specifications  
 Resolution\*: 0.01mm or .0005"/0.01mm  
 Graduation\*\*: 0.05mm  
 Display\*: LCD  
 Length standard\*: ABSOLUTE electrostatic capacitance type linear encoder  
 Max. response speed\*: Unlimited  
 Battery\*: SR44 (1 pc.), **938882**  
 Battery life\*: Approx. 3.5 years under normal use  
 \*Digital models \*\*Analog models

## Function of Digital Model

Origin-set, Zero-setting, Power On/Off, Data output, inch/mm conversion (on inch/metric models only)  
 Alarm: Low voltage, Counting value composition error

## Optional Accessories for Digital Model

- 05CZA624**: SPC cable with data switch (1m / 40")
- 05CZA625**: SPC cable with data switch (2m / 80")

