



Technical Data

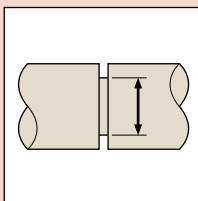
Accuracy: Refer to the list of specifications
 Resolution*: .0005" / 0.01mm or 0.01mm
 Graduation***: 0.05mm
 Display*: LCD
 Length standard*: ABSOLUTE electrostatic capacitance type linear encoder
 Max. response speed*: Unlimited
 Battery*: SR44 (1 pc.), **938882**
 Battery life*: Approx. 3.5 years under normal use
 *Digital models **Analog models

Function of Digital Model

Origin-set, Zero-setting, Power On/Off, Data output, inch/mm conversion (on inch/metric models only)
 Alarm: Low voltage, Counting value composition error

Optional Accessories for Digital Model

05CZA624: SPC cable with data switch (40" / 1m)
05CZA625: SPC cable with data switch (80" / 2m)

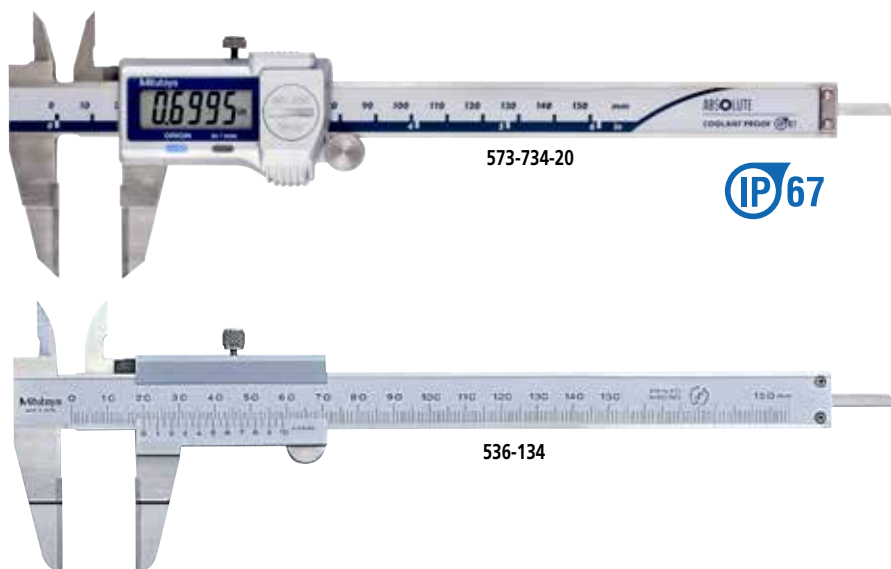


Blade-Type Caliper

SERIES 573, 536 — ABSOLUTE Digimatic and Vernier Type

FEATURES

- The thin-blade type jaws fit into very small grooves and making previously difficult outside measurements easier to obtain.
- The OD measuring faces are carbide-tipped.
- With depth bar.
- With SPC data output. (Series 573)
- Supplied in fitted plastic case.



SPECIFICATIONS

Metric		Digital model		
Range	Order No.	Accuracy	Resolution	Mass (g)
0 - 150mm	573-634-20	±0.02mm	0.01mm	168

Inch/Metric		Digital model		
Range	Order No.	Accuracy	Resolution	Mass (g)
0 - 6" / 0 - 150mm	573-734-20	±.001"	.0005" / 0.01mm	168

Metric				
Range	Order No.	Accuracy	Graduation	Mass (g)
0 - 150mm	536-134	±0.05mm	0.05mm	130
0 - 200mm	536-135	±0.05mm	0.05mm	160
0 - 300mm	536-136	±0.08mm	0.05mm	340

DIMENSIONS

Analog model

Digital model

Unit: mm

Range	D	d	e	t
0 - 6" / 0 - 150mm	40	20	0.75	3
0 - 200mm	50	25	0.75	3
0 - 300mm	64	30	1	3.8