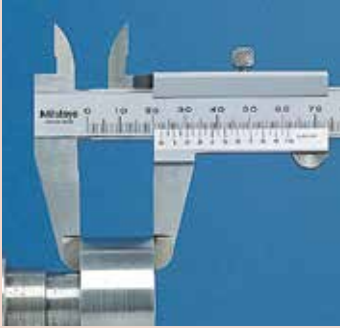


# Vernier Caliper

**SERIES 532 — with Fine Adjustment**

## Measurement Applications



OD measurement



ID measurement



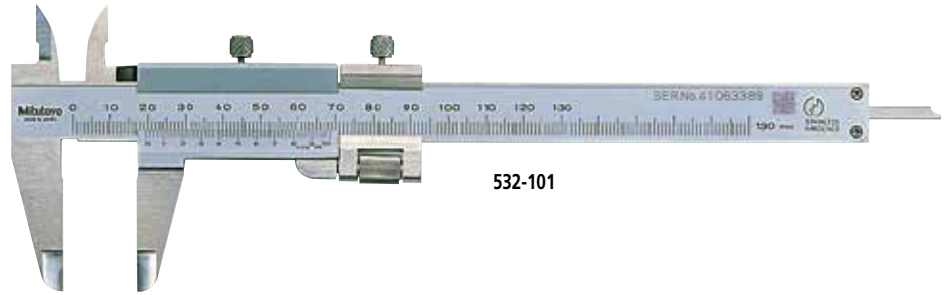
Step measurement



Depth measurement

## FEATURES

- Provided with a fine-adjustment carriage to feed the slider finely.
- Can measure OD, ID, depth and steps.
- Supplied with vinyl holster in fitted carton.



## SPECIFICATIONS

Metric			
Range	Order No.	Accuracy	Graduation
0 - 130mm	<b>532-101</b>	±0.03mm	0.02mm
0 - 180mm	<b>532-102</b>	±0.03mm	0.02mm
0 - 280mm	<b>532-103</b>	±0.04mm	0.02mm

Metric/Inch with metric/inch dual scale				
Range	Order No.	Accuracy	Graduation	
			Lower Scale	Upper Scale
0 - 130mm / 0 - 5"	<b>532-119</b>	±0.03mm	0.02mm	.001"
0 - 180mm / 0 - 7"	<b>532-120</b>	±0.03mm	0.02mm	.001"
0 - 280mm / 0 - 11"	<b>532-121</b>	±0.04mm	0.02mm	.001"

## DIMENSIONS AND MASS

