

Micrometer

The origin of Mitutoyo's trustworthy brand of small tool instruments

Sheet Metal Micrometers SERIES 389, 118

- Measures thickness of sheet metal.
- IP65 water/dust protection (series 389).
- Measuring faces: Carbide
- Profile of measuring faces: Flat-Flat, Spherical-Flat and Spherical-Spherical.
- Equipped with Ratchet Stop for constant measuring force.



SPECIFICATIONS

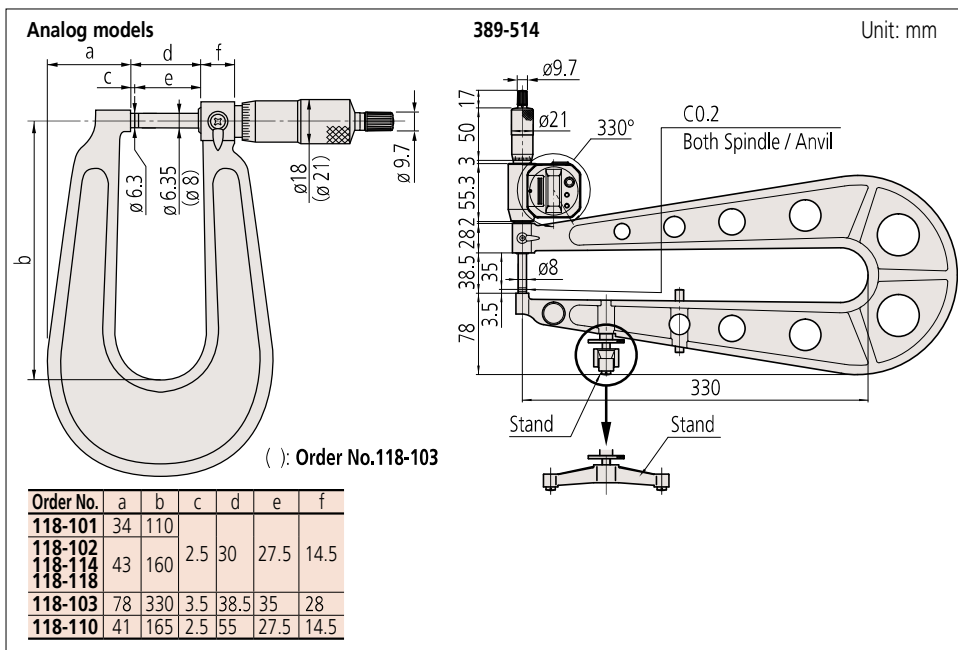
Metric					
Order No.	Range	Resolution	Accuracy*	Throat depth	Measuring surfaces
Digimatic (LCD)					
389-251-30	0 - 25mm	0.001mm	±4µm	150mm	F-F
389-261-30					S-F
389-271-30					S-S
389-514					300mm*
389-252-30	25 - 50mm	0.001mm	±4µm	150mm	F-F
389-262-30					S-F
389-272-30					S-S
389-272-30					S-S

* Excluding quantizing error

Metric					
Order No.	Range	Graduation	Accuracy	Throat depth	Measuring surfaces
Analog					
118-101	0 - 25mm	0.01mm	±4µm	100mm	F-F
118-102				150mm	S-F
118-114				150mm	S-S
118-118				300mm*	S-S
118-103				300mm*	S-S
118-110	25 - 50mm	0.01mm	±4µm	150mm	F-F
118-126				150mm	S-S

*1 Models with a 300mm (12") throat are equipped with a stand for convenience of measurement in the horizontal orientation as standard.

DIMENSIONS



These marks indicate that a product has successfully passed IP65-level testing, which is carried out by the independent German certification organization TÜV Rheinland.



(Refer to page X for details.)

IP Codes (series 389)

Level 6: Dust-proof.

No ingress of dust allowed.

Level 5: Protected against water jets.

Water projected in jets against the enclosure from any direction shall have no harmful effects.

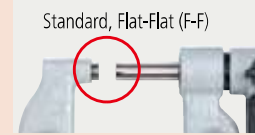
Technical Data

Flatness: 0.6µm/0.00024" for models with 150mm/6" throat

1µm/0.00004" for models with 300mm/12" throat

Parallelism: 3µm/0.0012"

Quantizing error (series 389): excluding ±1 count



Battery for series 389

SR44 (1 pc), 938882, 2pcs:389-514, 389-714 for initial operational checks (standard accessory)

Battery life: Approx. 2.4 years under normal use (for series 389-2XX, 3XX)

Approx. 1.8 years under normal use (for series 389-514, 714)

Length standard: Electromagnetic rotary sensor (for series 389)

Standard accessories: Reference bar, 1 pc

(except for measuring range 0-25mm (0-1") models)

Spanner (200877), 1 pc (for series 118-1XX)

Spanner (301336), 1 pc (for series 389-2XX, 3XX)

Spanner (200154), 1 pc (for series 118-103/107, 389-514/714)

Optional accessories

• Connecting cables for Series 389

(excluding 389-514 and 389-714)

1m: 05CZA662

2m: 05CZA663

• USB Input Tool Direct

USB-ITN-B (2m): 06ADV380B

• SPC cables for U-WAVE, series 389

(excluding 389-514 and 389-714)

w/ data switch (160mm): 02AZD790B

For foot switch: 02AZE140B

• Connecting cables for 389-514, 389-714

(with operating the thimble.)

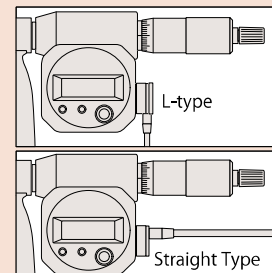
1m: 04AZB512

2m: 04AZB513

• Straight type (may interfere with operating the thimble.)

1m: 959149

2m: 959150



Refer to page B-68 for detailed information about recommended cables.