

Micrometer

The origin of Mitutoyo's trustworthy brand of small tool instruments

Screw Thread Micrometers SERIES 326, 126 — Interchangeable Anvil / Spindle Tip Type

- Anvils and spindle tips are interchangeable in matching pairs to enable measurement of Metric/Unified or Whitworth threads.
- Direct reading of screw pitch diameter (no need for calculation)
- Equipped with Ratchet Stop for constant measuring force.
- Interchangeable anvils / spindle tips are optional.



SPECIFICATIONS

Metric			
Order No.	Range	Resolution	Accuracy*
Digimatic (LCD)			
326-251-30	0 - 25mm	0.001mm	±4μm
326-252-30	25 - 50mm		
326-253-30	50 - 75mm		
326-254-30	75 - 100mm		
			±5μm

* Excluding quantizing error

Metric			
Order No.	Range	Graduation	Accuracy
Analog			
126-125	0 - 25mm	0.01mm	±4μm
126-126	25 - 50mm		
126-127	50 - 75mm		
126-128	75 - 100mm		
126-129	100 - 125mm	±5μm	±6μm
126-130	125 - 150mm		
126-131	150 - 175mm		
126-132	175 - 200mm		
126-133	200 - 225mm	±7μm	±7μm
126-134	225 - 250mm		
126-135	250 - 275mm		
126-136	275 - 300mm		

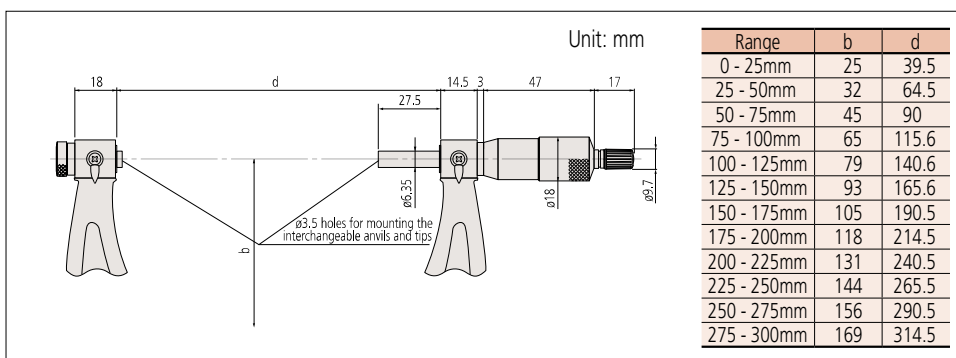
Notes: 1) A matching setting standard is supplied with each model (except for 0-25mm measuring range). (Refer to page B-63 for details.)

The setting standard is for metric threads (unified) 60°.

2) For functional details of series 326, refer to series 293.

Please note that origin setting of these models is free-digit preset type. Also, connecting cables (optional) have to be a waterproof type.

DIMENSIONS



These marks indicate that a product has successfully passed IP65-level testing, which is carried out by the independent German certification organization TÜV Rheinland.



IP Codes (series 326)

Level 6: Dust-proof.

No ingress of dust allowed.

Level 5: Protected against water jets.

Water projected in jets against the enclosure from any direction shall have no harmful effects.

Technical Data



Battery for series 326

SR44 (1 pc), 938882, for initial operational checks (standard accessory)

Battery life: Approx. 2.4 years under normal use (for series 326)

Length standard: Electromagnetic rotary sensor (for series 326)

Standard accessories: Spanner (301336), 1 pc

Optional accessories

Connecting cables

1m: 05CZA662

2m: 05CZA663

USB Input Tool Direct

USB-ITN-B (2m): 06ADV380B

Connecting cables for U-WAVE-T

02AZD790B 160mm

For foot switch: 02AZE140B

Refer to page B-68 for details.

Optional accessories

Sets of interchangeable anvils / spindle tips

- For Metric/Unified threads (pair)

Order No.	Matching anvils/spindle tips included
126-800	0.4 - 0.5mm/64 - 48TPI (126-801)
	0.6 - 0.9mm/44 - 28TPI (126-802)
	1 - 1.75mm/24 - 14TPI (126-803)
	2 - 3mm/13 - 9TPI (126-804)
	3.5 - 5mm/8 - 5TPI (126-805)
	5.5 - 7mm/4.5 - 3.5TPI (126-806)

- For Whitworth threads (pair)

Order No.	Matching anvils/spindle tips included
126-810	60 - 48TPI (126-811)
	48 - 40TPI (126-812)
	40 - 32TPI (126-813)
	32 - 24TPI (126-814)
	24 - 18TPI (126-815)
	18 - 14TPI (126-816)
	14 - 10TPI (126-817)
	10 - 7TPI (126-818)
	7 - 4.5TPI (126-819)
	4.5 - 3.5TPI (126-820)

Technical description

- Anvils / spindle tips

Allowable error of the angle of anvils and spindle tips

Type	Metric (Unified)	Whitworth (Unified)	Half angle error
Pitch (mm), Nominal designation of threads per inch		W1	±30'
		W2	±30'
		W3	±20'
		W4	±20'
		W5	±15'
		W6	±15'
		W7	±10'
		W8	±10'
		W9	±10'
		W10	±10'

Note) This chart indicates the difference between the angle made by anvil's contact faces and spindle's axes and the half angle with error α.
Metric/Unified θ = 60°
Whitworth θ = 55°