



These marks indicate that a product has successfully passed IP65-level testing, which is carried out by the independent German certification organization TÜV Rheinland.



(Refer to page X for details.)

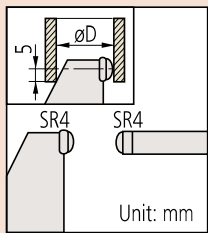
IP Codes (series 395)

Level 6: Dust-proof.

No ingress of dust allowed.

Level 5: Protected against water jets.

Water projected in jets against the enclosure from any direction shall have no harmful effects.



Battery for series 395

SR44 (1 pc), **938882**, for initial operational checks (standard accessory)

Battery life: Approx. 2.4 years under normal use

(for series 395)

Length standard: Electromagnetic rotary sensor (for series 395)

Standard accessories: Reference bar, 1 pc (except for measuring range 0-15mm/0-25mm (0-1") models)
Spanner (200168), 1 pc (for series 115-201)
Spanner (301336), 1 pc (for models other than series 115-201)

Optional accessories

Connecting cables for **series 395**

1m: **05CZA662**

2m: **05CZA663**

USB Input Tool Direct

USB-ITN-B (2m): **06ADV380B**

Connecting cables for **U-WAVE-T**

02AZD790B 160mm

For foot switch: **02AZE140B**

Refer to page B-68 for details.

Tube Micrometers SERIES 395, 115, 295 — Spherical Anvil and Spindle Type

- Measuring faces: Carbide (**115-201**: only the spindle is carbide tipped.)
- Equipped with Ratchet Stop for constant measuring force.
- series 395: IP65 spherical anvil and spindle type digital micrometer.



395-271-30



115-215

SPECIFICATIONS

Metric				
Order No.	Range	Resolution	Accuracy*	øD
Digimatic (LCD)				
395-271-30	0 - 25mm	0.001mm	±2µm	ø15
395-272-30	25 - 50mm			ø19
395-273-30	50 - 75mm			ø19
395-274-30	75 - 100mm			±3µm

* Excluding quantizing error

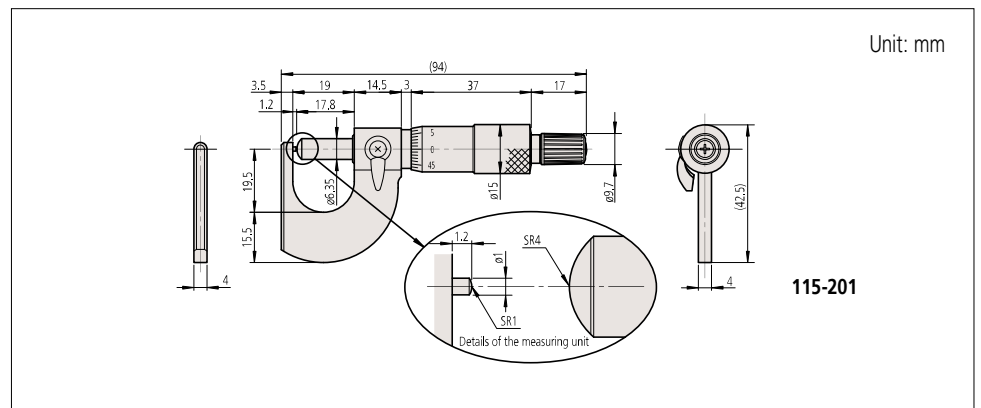
Inch/Metric				
Order No.	Range	Resolution	Accuracy*	øD
Digimatic (LCD)				
395-371-30	0 - 1"	.00005"/	±.0001"	ø.59"
395-372-30	1" - 2"			ø.75"
395-373-30	2" - 3"	0.001mm	±.00015"	ø.79"
395-374-30	3" - 4"			

* Excluding quantizing error

Metric				
Order No.	Range	Graduation	Accuracy	øD
Analog				
115-201	0 - 15mm	0.01mm	±3µm	ø5.5
115-215	0 - 25mm			ø10
115-216	25 - 50mm			ø11
115-217	50 - 75mm			ø17
115-218	75 - 100mm			±4µm
Mechanical counter model				
295-215	0 - 25mm	0.01mm	±3µm	ø10

Inch				
Order No.	Range	Graduation	Accuracy	øD
Analog				
115-253	0 - 1"	.0001"	±.00015"	ø.40"
115-242	1 - 2"	.001"		ø.44"
115-243	2 - 3"	.001"		ø.67"
Mechanical counter model				
295-253	0 - 1"	.0001"	±.00015"	ø.40"

DIMENSIONS



115-201