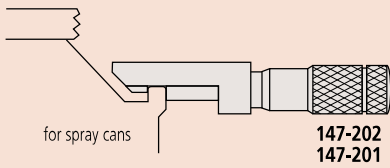
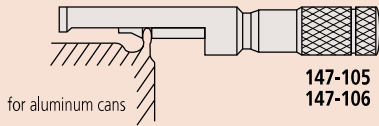
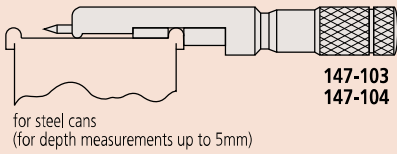


## Technical Data



Standard accessories: Spanner (200168), 1 pc  
Spanner (202863), 1pc

## Can Seam Micrometers SERIES 147

- Measures the width, height, and depth of can seams.

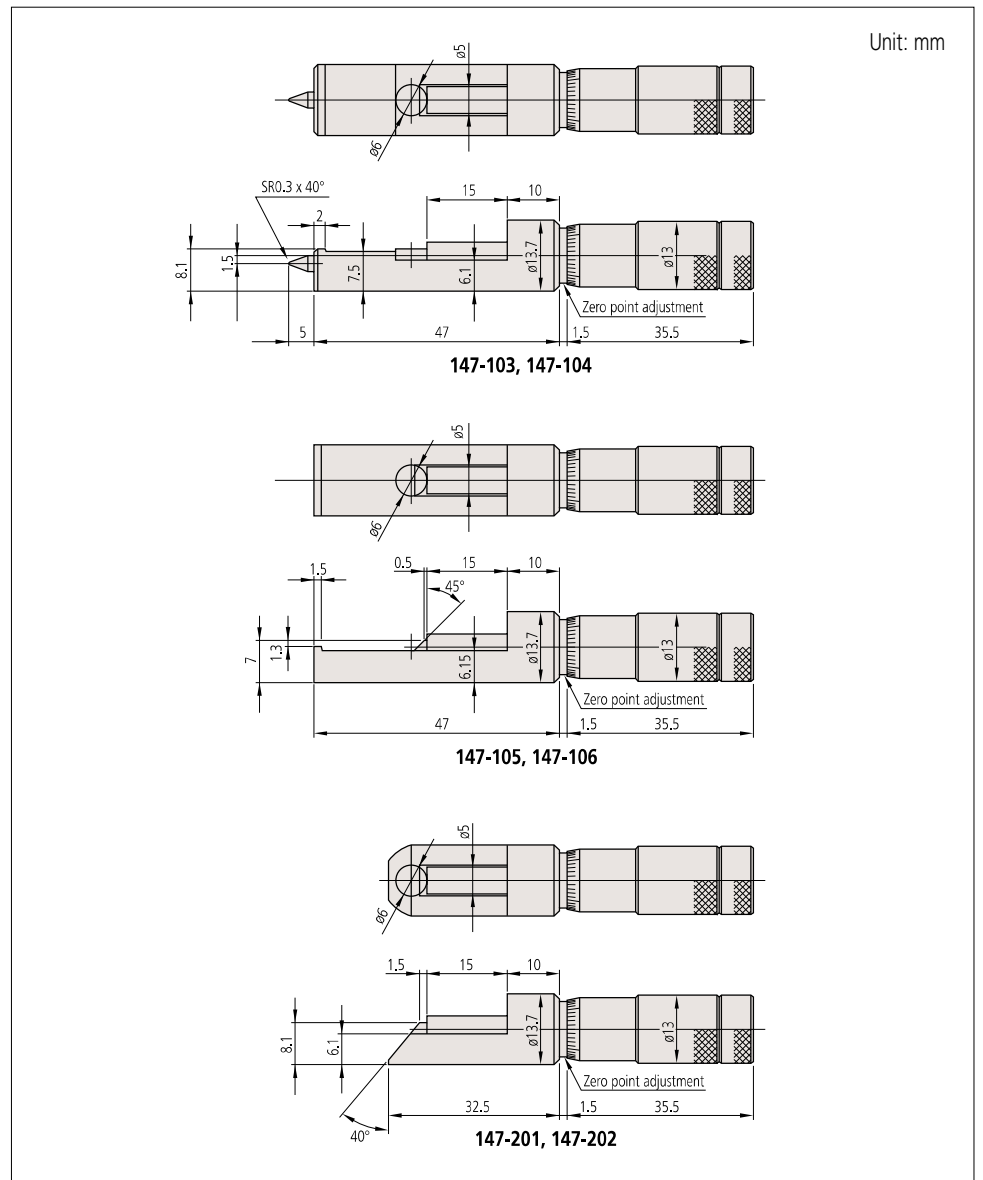


147-103

### SPECIFICATIONS

| Metric         |          |            |          |                   | Inch           |         |            |          |                   |
|----------------|----------|------------|----------|-------------------|----------------|---------|------------|----------|-------------------|
| Order No.      | Range    | Graduation | Accuracy | Remarks           | Order No.      | Range   | Graduation | Accuracy | Remarks           |
| <b>147-103</b> |          |            |          | for steel cans    | <b>147-104</b> |         |            |          | for steel cans    |
| <b>147-105</b> | 0 - 13mm | 0.01mm     | ±3µm     | for aluminum cans | <b>147-106</b> | 0 - .5" | .001"      | ±.00015" | for aluminum cans |
| <b>147-202</b> |          |            |          | for spray cans    | <b>147-201</b> |         |            |          | for spray cans    |

### DIMENSIONS



# Micrometer

The origin of Mitutoyo's trustworthy brand of small tool instruments

## Hub Micrometers SERIES 147

- Measures hub thickness and shoulders inside a bore.
- Measuring faces: Carbide
- Equipped with Ratchet Stop for constant measuring force.

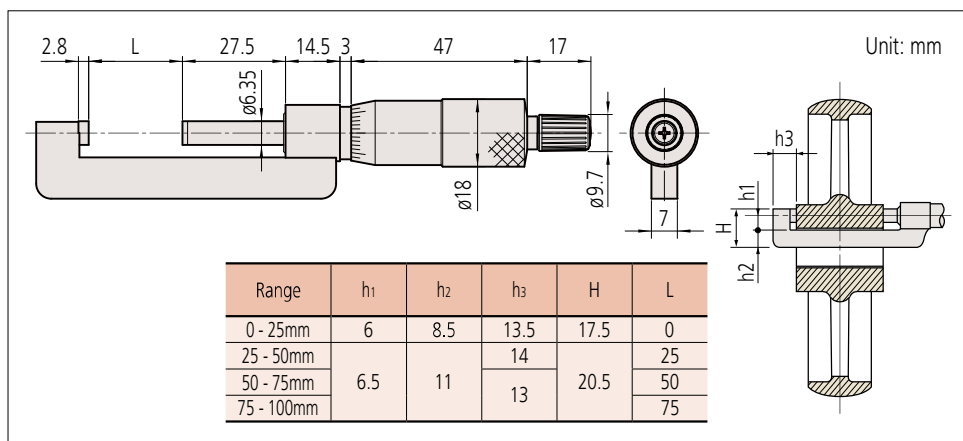


147-301

### SPECIFICATIONS

| Metric    |            |            |          | Inch      |         |            |          |
|-----------|------------|------------|----------|-----------|---------|------------|----------|
| Order No. | Range      | Graduation | Accuracy | Order No. | Range   | Graduation | Accuracy |
| 147-301   | 0 - 25mm   | 0.01mm     | ±2μm     | 147-351   | 0 - 1"  | .001"      | ±.0001"  |
| 147-302   | 25 - 50mm  |            |          |           |         |            |          |
| 147-303   | 50 - 75mm  |            | ±3μm     | 147-352   | 1" - 2" |            |          |
| 147-304   | 75 - 100mm |            |          | 147-353   | 2" - 3" |            |          |
|           |            |            |          | 147-354   | 3" - 4" |            | ±.00015" |

### DIMENSIONS



## Wire Micrometers Series 147

- Designed for measuring wire thickness.
- Measurable wire dia.: 10mm or less
- Measuring faces: Carbide
- Equipped with Ratchet Stop for constant measuring force.

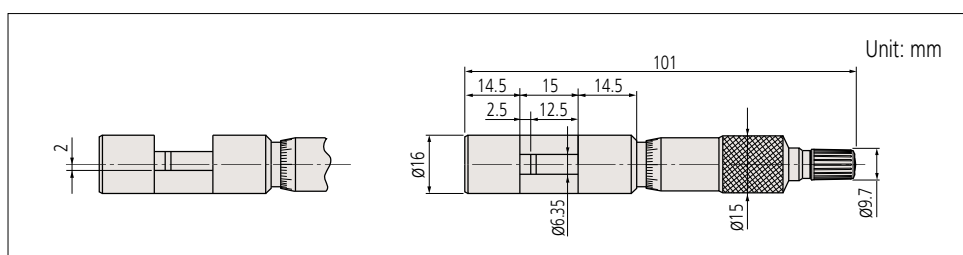


147-401

### SPECIFICATIONS

| Metric    |          |            |          | Inch      |         |            |          |
|-----------|----------|------------|----------|-----------|---------|------------|----------|
| Order No. | Range    | Graduation | Accuracy | Order No. | Range   | Graduation | Accuracy |
| 147-401   | 0 - 10mm | 0.01mm     | ±3μm     | 147-402   | 0 - .4" | .0001"     | ±.00015" |

### DIMENSIONS



### Technical data

Flatness: 0.6μm/0.00024"  
 Parallelism: (2+R/100)μm, R = max. range (mm)  
 [.00008" + .00004'(R/4)]" R = max. range (mm)  
 \*fraction rounded up

Standard accessories: Reference bar, 1 pc  
 (except for measuring range 0-25mm (0-1") models)  
 Spanner (301336), 1 pc



### Technical Data

Flatness: 0.6μm/0.00024"  
 Parallelism: 1.3μm/0.0005"



Standard accessories: Spanner (200168), 1 pc  
 Spanner (202863), 1pc