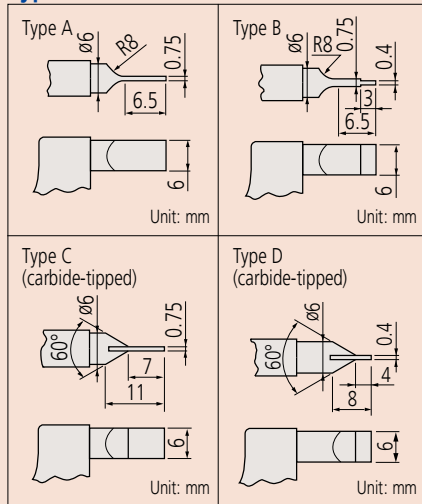


Technical Data

Parallelism
 3µm for models up to 75mm
 .00015" for models up to 3"
 (3+R/100)µm for models over 75mm
 .0002" for models over 3"
 R = max. range (mm)
 fraction rounded up

Type and Dimensions



Battery for series 422

SR44 (1 pc), 938882, for initial operational checks (standard accessory)

Battery life: Approx. 2.4 years under normal use (for series 422-2XX, 3XX)
 Approx. 1 year under normal use (for series 422-4XX)

Length standard: Electromagnetic rotary sensor (for series 422-2XX, 3XX)
 Electrostatic capacity absolute sensor (for series 422-4XX)

Standard accessories: Reference bar, 1 pc (except for measuring range 0-25mm/0-30mm (0-1"/0-1.2") models)
 Spanner (301336), 1 pc (for series 122-1XX, 422-2XX, 3XX)

Optional accessories

Connecting cables for digital models
 1m: **05CZA662**
 2m: **05CZA663**

USB Input Tool Direct

USB-ITN-B (2m): **06ADV380B**

Connecting cables for **U-WAVE-T** (digital models)
02AZD790B (160mm)

For foot switch: **02AZE140B**

Connecting cables for Quickmike type

1m: **937387**

2m: **965013**

USB Input Tool Direct

USB-ITN-E (2m): **06ADV380E**

Connecting cables for **U-WAVE-T** (Quickmike type)

02AZD790E 160mm

For foot switch: **02AZE140E**

Refer to page B-68 for details.

Blade Micrometers SERIES 422, 122 — Non-Rotating Spindle Type

- The anvil and spindle are blade-shaped for measuring the groove diameter of shafts, keyways, and other hard-to-reach features.
- Carbide-tipped measuring faces are also available.
- Non-rotating spindle type.
- Equipped with Ratchet Stop for constant measuring force.



SPECIFICATIONS

Metric					
Order No.	Range	Resolution	Accuracy*	Remark	
Digimatic (LCD)					
422-230-30	0 - 25mm	0.001mm	±3µm	Type A	
422-231-30	25 - 50mm				
422-232-30	50 - 75mm				
422-233-30	75 - 100mm		±4µm		
422-260-30	0 - 25mm				
422-261-30	25 - 50mm		±3µm		
422-270-30	0 - 25mm	Type C			
422-271-30		Type D			

* Excluding quantizing error

Metric Quickmike type					
Order No.	Range	Resolution	Accuracy*	Remark	
Digimatic (LCD)					
422-411	0 - 30mm	0.001mm	±3µm	Type A	
422-412	25 - 55mm				

* Excluding quantizing error

Metric					
Order No.	Range	Graduation	Accuracy	Remark	
Analog					
122-101	0 - 25mm	0.01mm	±3µm	Type A	
122-102	25 - 50mm				
122-103	50 - 75mm				
122-104	75 - 100mm		±4µm		
122-105	100 - 125mm				
122-106	125 - 150mm		±5µm		
122-107	150 - 175mm				
122-108	175 - 200mm	±6µm			
122-109	200 - 225mm				
122-110	225 - 250mm	0.01mm	±3µm	Type B	
122-111	0 - 25mm				
122-112	25 - 50mm	0.01mm	±3µm	Type C	
122-161	0 - 25mm				
122-162	25 - 50mm				
122-141	0 - 25mm				
122-142	25 - 50mm	0.01mm	±3µm	Type D	
122-142	25 - 50mm				

Notes: 1) A heat shield is provided with Digimatic models and **422-230-30** as standard.

Inch/Metric					
Order No.	Range	Resolution	Accuracy*	Remark	
Digimatic (LCD)					
422-330-30	0 - 1"	.0005"/ 0.001mm	±.00015"	Type A	
422-331-30	1" - 2"				
422-332-30	2" - 3"				
422-333-30	3" - 4"		±.0002"		
422-360-30	0 - 1"				
422-361-30	1" - 2"		±.00015"		
422-370-30	0 - 1"	Type C			
422-371-30		Type D			

* Excluding quantizing error

Inch/Metric Quickmike type					
Order No.	Range	Resolution	Accuracy*	Remark	
Digimatic (LCD)					
422-421	0 - 1.2"	.00005"/ 0.001mm	±.00015"	Type A	

* Excluding quantizing error

Inch					
Order No.	Range	Graduation	Accuracy	Remark	
Analog					
122-125	0 - 1"	.0001"	±.00015"	Type A	
122-126	1" - 2"				
122-127	2" - 3"				
122-128	3" - 4"		±.0002"		
122-135	0 - 1"				
122-151			Type D		

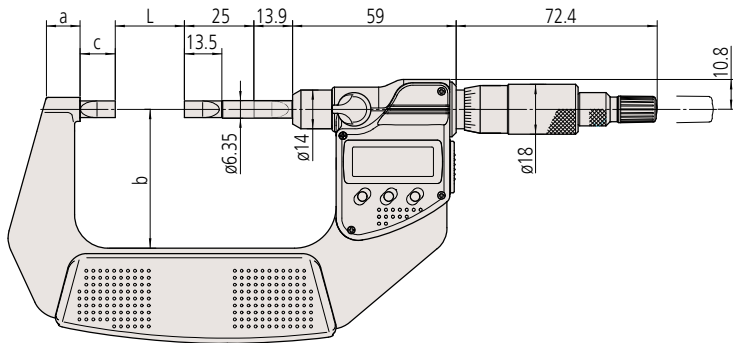
Micrometer

The origin of Mitutoyo's trustworthy brand of small tool instruments

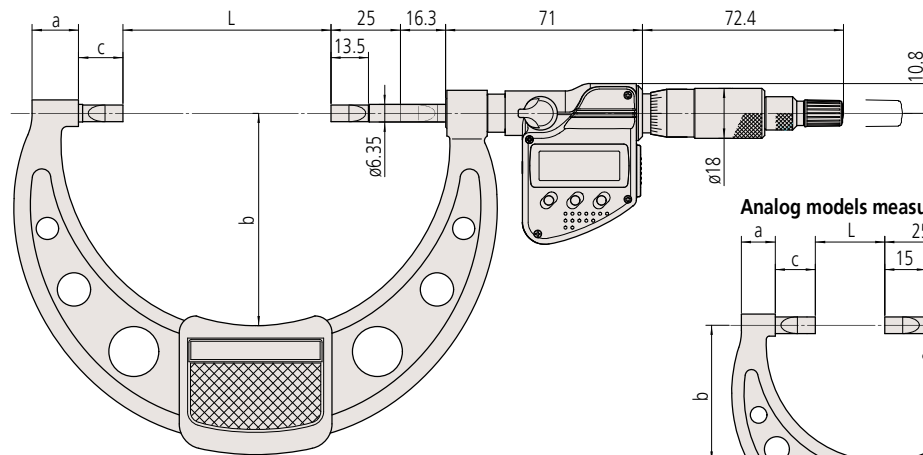
DIMENSIONS

Digital models up to 50mm measuring range

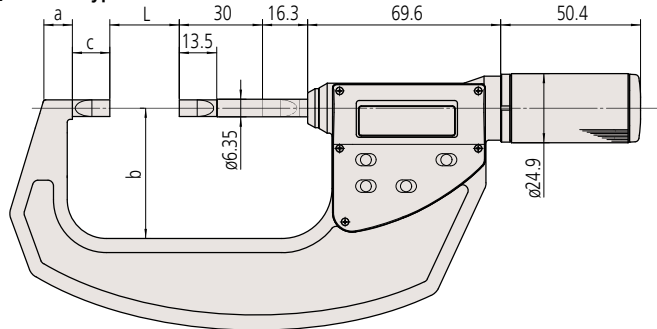
Unit: mm



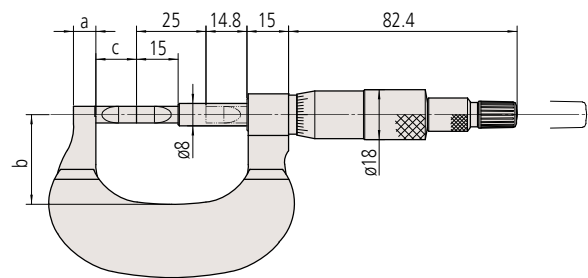
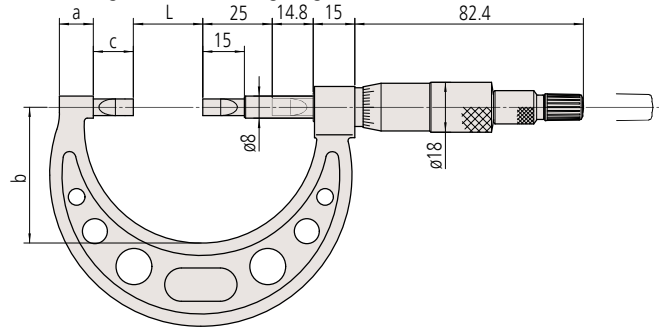
Digital models over 75mm measuring range



Quickmike type



Analog models measuring range



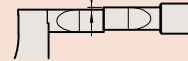
Quickmike

Provides a speedy spindle feed of 10mm per thimble rotation, which enables widely differently sized features to be measured quickly.

Deviation between the Anvil and Spindle in the Vertical Direction

within 0.15mm

Deviation between the anvil and spindle in the vertical direction



Deviation of 0.15mm or less is guaranteed between the anvil and spindle in the vertical direction.

* When the measuring range is 0 - 25mm

Order No.	L	a	b	C
422-230-30	0	11	31	12.5
422-231-30	25	12.2	50	12.6
422-232-30	50	14.6	57	13
422-233-30	75	16.7	76	16
422-260-30	0	11	31	12.5
422-261-30	25	12.2	50	12.6
422-270-30	0	11	31	12.5
422-271-30	0	11	31	12.5
122-101	0	7.8	32	15
122-102	25	12.2	49	14.5
122-103	50	14.6	60	17.5
122-104	75	17	79	17.9
122-105	100	19	94	18.3
122-106	125	20	106	18.5
122-107	150	19	118	18.9
122-108	175	17	130	17.7
122-109	200	18	143	18.7
122-110	225	18	156	18.7
122-115	250	18	169	18.7
112-116	275	18	181	18.7
422-411	0	8.5	36	13.5
422-412	25	10.3	47	13.5