

# Micrometer

The origin of Mitutoyo's trustworthy brand of small tool instruments

## "Uni-Mike" Series 317, 117 — Interchangeable Anvil Type

- Measures tubing thickness, shoulder-edge distance, rivet head height, etc., with interchangeable anvils (flat anvil, rod anvil, V-anvil).
- IP65 water/dust protection (series 317).
- Equipped with Ratchet Stop for constant measuring force.



317-251-30



117-101

### SPECIFICATIONS

Metric			
Order No.	Range	Resolution	Accuracy*
Digimatic (LCD)			
317-251-30	0 - 25mm	0.001mm	±4μm
317-252-30	25 - 50mm		

\* Excluding quantizing error

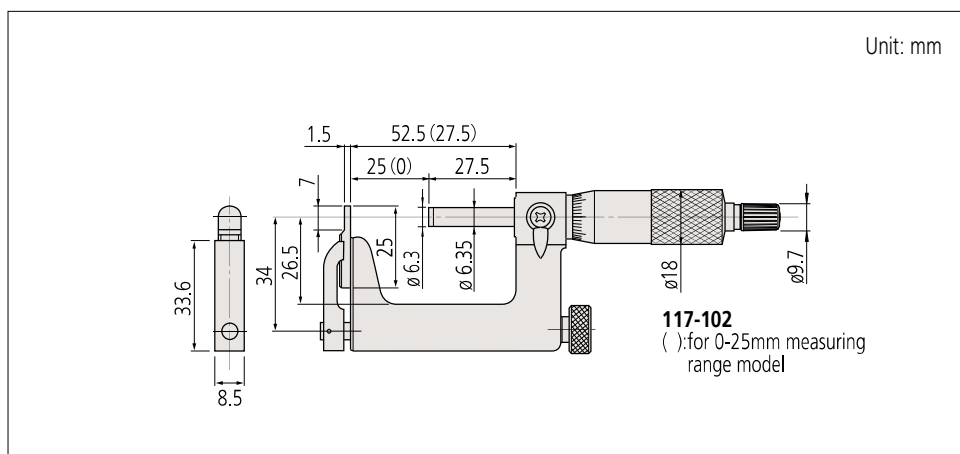
Metric			
Order No.	Range	Graduation	Accuracy
Analog			
117-101	0 - 25mm	0.01mm	±4μm
117-102	25 - 50mm		

Inch/Metric			
Order No.	Range	Resolution	Accuracy*
Digimatic (LCD)			
317-351-30	0 - 1"	.00005" / 0.001mm	±.0002"
317-352-30	1" - 2"		

\* Excluding quantizing error

Inch			
Order No.	Range	Graduation	Accuracy
Analog			
117-107	0 - 1"	.0001"	±.0002"
117-108	1" - 2"		

### DIMENSIONS



These marks indicate that a product has successfully passed IP65-level testing, which is carried out by the independent German certification organization TÜV Rheinland.



(Refer to page X for details.)

### IP Codes (series 317)

- Level 6: Dust-proof.  
No ingress of dust allowed.
- Level 5: Protected against water jets.  
Water projected in jets against the enclosure from any direction shall have no harmful effects.

### Technical data

Flatness: Spindle face 0.6μm  
Anvil face 2μm  
Parallelism: 3μm



### Battery for series 317

SR44 (1 pc, 938882, for initial operational checks (standard accessory)

Battery life: Approx. 2.4 years under normal use (for series 317)

Length standard: Electromagnetic rotary sensor (for series 317)

Standard accessories: Reference bar, 1 pc (except for measuring range 0-25mm (0-1" models)

Spanner (200877), 1 pc (for series 117-XXX)

Spanner (301336), 1 pc (for series 317-XXX)

### Optional accessories

Connecting cables (series 317 )

1m: 05CZA662

2m: 05CZA663

USB Input Tool Direct

USB-ITN-B (2m): 06ADV380B

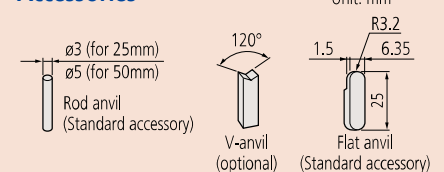
Connecting cables for U-WAVE-T

02AZD790B 160mm

For foot switch: 02AZE140B

Refer to page B-68 for details.

### Accessories



Order No.	Item
201216	Flat anvil (standard accessory)
201217	Rod anvil (standard accessory for 117-101/117-107/317-251-30/317-351-30)
201379	Rod anvil (standard accessory for 117-102/117-108/317-252-30/317-352-30)
201218	V-anvil (optional)
950758	Base for 25mm (optional)