

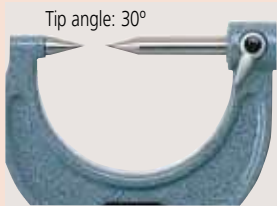


(Refer to page X for details.)

**IP Codes (series 342)**

- Level 6: Dust-proof.  
No ingress of dust allowed.
- Level 5: Protected against water jets.  
Water projected in jets against the enclosure from any direction shall have no harmful effects.

**Technical Data**



**Battery for series 342**

**SR44** (1 pc, **938882**, for initial operational checks (standard accessory)  
 Battery life: Approx. 2.4 years under normal use (for series 342)  
 Length standard: Electromagnetic rotary sensor (for series 342)  
 Standard accessories: Reference bar, 1 pc (except for measuring range 0-25mm (0-1") models)  
 Spanner (301336), 1 pc

**Optional accessories**

Connecting cables for **series 342**  
 1m: **05CZA662**  
 2m: **05CZA663**  
**USB Input Tool Direct**  
**USB-ITN-B** (2m): **06ADV380B**  
 SPC cables for **U-WAVE** w/ data switch (160mm):  
**02AZD790B**  
 For foot switch: **02AZE140B**  
 (Refer to page B-68 for details.)

**Point Micrometers**  
**SERIES 342, 142, 112**

- Pointed spindle and anvil for measuring the web thickness of drills, small grooves, keyways, and other hard-to-reach features.
- The measuring points (carbide tipped) have approximately 0.3mm radius.
- series 342: IP65 Digimatic micrometers
- Equipped with Ratchet Stop for constant measuring force.



**SPECIFICATIONS**

Metric				
Order No.	Range	Resolution	Accuracy*	Point
Digimatic (LCD) (With carbide tip)				
<b>342-251-30</b>	0 - 25mm	0.001mm	±2µm	15°
<b>342-252-30</b>	25 - 50mm			
<b>342-253-30</b>	50 - 75mm			
<b>342-254-30</b>	75 - 100mm			
<b>342-261-30</b>	0 - 25mm	0.001mm	±2µm	30°
<b>342-262-30</b>	25 - 50mm			
<b>342-263-30</b>	50 - 75mm			
<b>342-264-30</b>	75 - 100mm			

\* Excluding quantizing error

Inch/Metric				
Order No.	Range	Resolution	Accuracy*	Point
Digimatic (LCD) (With carbide tip)				
<b>342-351-30</b>	0 - 1"	.00005"/0.001mm	±.0001"	15°
<b>342-352-30</b>	1 - 2"			
<b>342-353-30</b>	2 - 3"			
<b>342-354-30</b>	3 - 4"			
<b>342-361-30</b>	0 - 1"	.00005"/0.001mm	±.00015"	30°
<b>342-362-30</b>	1 - 2"			
<b>342-363-30</b>	2 - 3"			
<b>342-364-30</b>	3 - 4"			

\* Excluding quantizing error

Metric				
Order No.	Range	Graduation	Accuracy	Point
Analog				
<b>112-153</b>	0 - 25mm	0.01mm	±3µm	15°
<b>112-154</b>	25 - 50mm			
<b>112-155</b>	50 - 75mm			
<b>112-156</b>	75 - 100mm			
<b>112-201</b>	0 - 25mm	0.01mm	±3µm	30°
<b>112-202</b>	25 - 50mm			
<b>112-203</b>	50 - 75mm			
<b>112-204</b>	75 - 100mm			
Analog (With carbide tip)				
<b>112-165</b>	0 - 25mm	0.01mm	±3µm	15°
<b>112-166</b>	25 - 50mm			
<b>112-167</b>	50 - 75mm			
<b>112-168</b>	75 - 100mm			
<b>112-213</b>	0 - 25mm	0.01mm	±3µm	30°
<b>112-214</b>	25 - 50mm			
<b>112-215</b>	50 - 75mm			
<b>112-216</b>	75 - 100mm			
Mechanical counter model				
<b>142-153</b>	0 - 25mm	0.01mm	±3µm	15°
<b>142-201</b>				30°

Inch				
Order No.	Range	Graduation	Accuracy	Point
Analog				
<b>112-177</b>	0 - 1"	0.001"	±.00015"	15°
<b>112-178</b>	1" - 2"			
<b>112-225</b>	0 - 1"			
<b>112-226</b>	1" - 2"			
Analog (With carbide tip)				
<b>112-189</b>	0" - 1"	.001"	±.00015"	15°
<b>112-190</b>	1" - 2"			
<b>112-191</b>	2" - 3"			
<b>112-237</b>	0 - 1"			
<b>112-238</b>	1" - 2"	.001"	±.00015"	30°
<b>112-239</b>	2" - 3"			
Mechanical counter model				
<b>142-177</b>	0 - 1"	0.001"	±.00015"	15°
<b>142-225</b>				30°

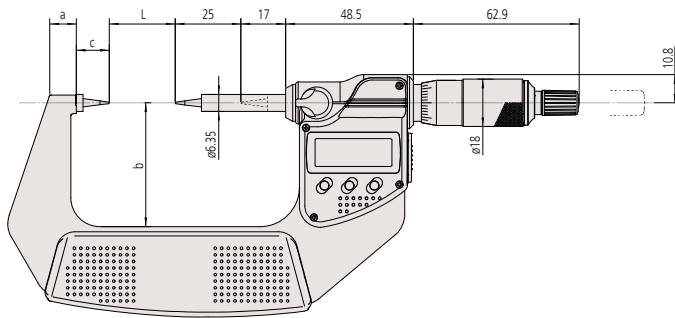
# Micrometer

The origin of Mitutoyo's trustworthy brand of small tool instruments

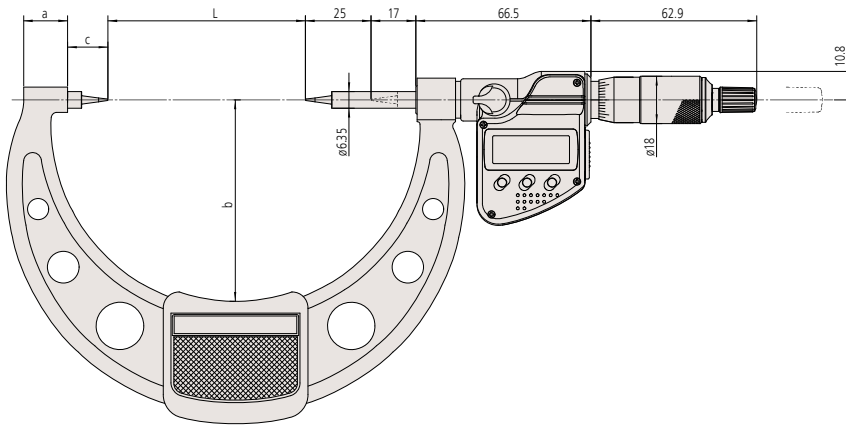
## DIMENSIONS

Digital models up to 75mm measuring range

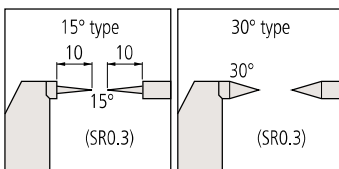
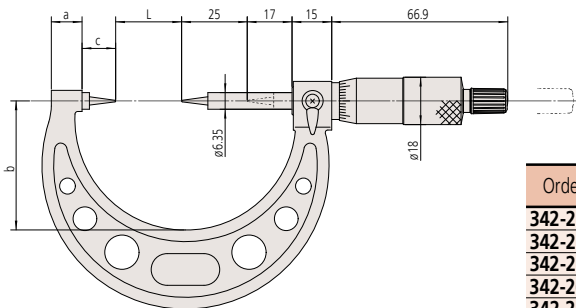
Unit: mm



Digital models over 75mm measuring range



Analog models measuring range



Order No.	L	a	b	c	Frame thickness*1
<b>342-251-30</b>					(11.2)
<b>342-261-30</b>	0	7.3	32.5		(11.2)
<b>342-252-30</b>	25	10.1	47	12.5	(12.8)
<b>342-262-30</b>					(12.8)
<b>342-253-30</b>	50	11.5	60		(12.8)
<b>342-263-30</b>					(12.8)
<b>342-254-30</b>	75	16.7	76	15.3	(20.8)
<b>342-264-30</b>					(20.8)
<b>112-153</b>	0	10	38		(9)
<b>112-154</b>	25	12	49	12.5	(10)
<b>112-155</b>	50	14	60		(11)
<b>112-156</b>	75	16.7	79	15.3	(13)

\*1 Digimatic type: thickness over heat shield