

Micrometer

The origin of Mitutoyo's trustworthy brand of small tool instruments

Outside Micrometers

SERIES 406 — Digimatic straight line micrometer outside micrometer

- Non-rotating spindle.
- Equipped with Ratchet Stop for constant measuring force.



406-250-30

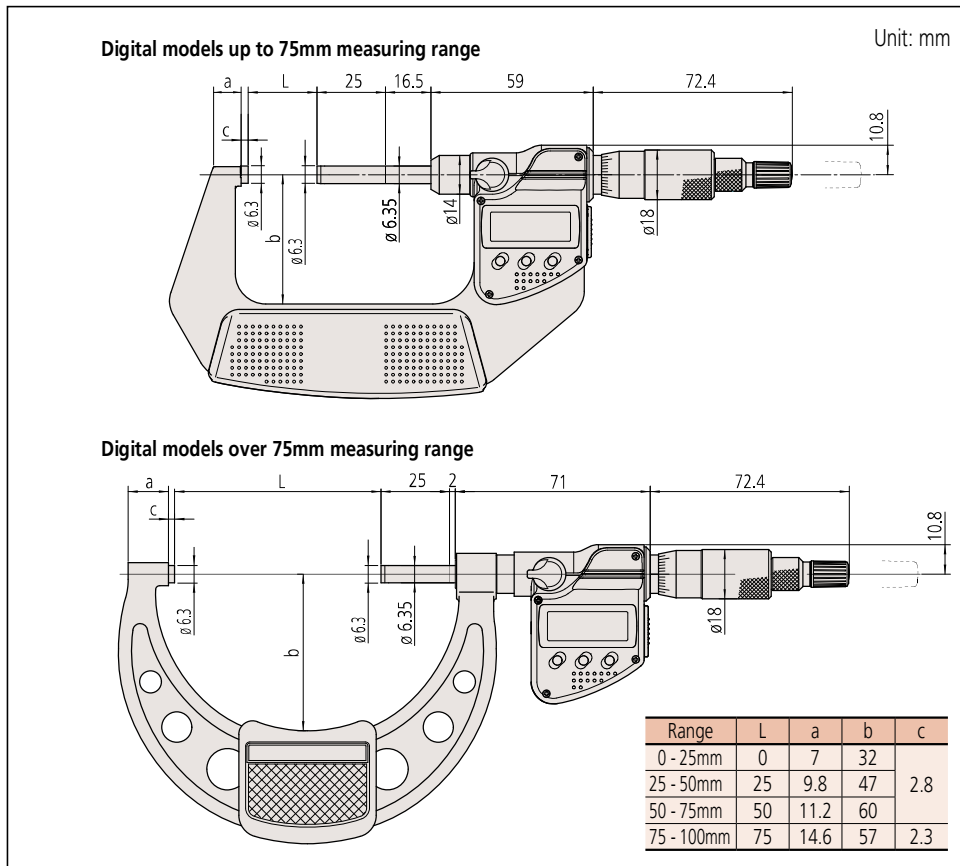
Metric					
Order No.	Range	Resolution	Accuracy*	Flatness	Parallelism
406-250-30	0 - 25mm	0.001mm	±3μm	0.3μm	3μm
406-251-30	25 - 50mm				
406-252-30	50 - 75mm		±4μm		
406-253-30	75 - 100mm				4μm

* Excluding quantizing error

Inch/Metric					
Order No.	Range	Resolution	Accuracy*	Flatness	Parallelism
406-350-30	0 - 1"	.00005"/ 0.001mm	±.00015"	.000012"	.00012"
406-351-30	1" - 2"				
406-352-30	2" - 3"		±.0002"		
406-353-30	3" - 4"				.00016"

* Excluding quantizing error

DIMENSIONS



Technical Data

Battery: **SR44** (1 pc), **938882**, for initial operational checks (standard accessory)
 Battery life: Approx. 2.4 years under normal use
 Length standard: Electromagnetic rotary sensor
 Standard accessories: Reference bar, 1 pc (except for measuring range 0-25mm (0-1") models)
 Spanner (301336), 1 pc

Optional accessories

Connecting cables

1m: **05CZA662**

2m: **05CZA663**

USB Input Tool Direct

USB-ITN-B (2m): **06ADV380B**

SPC cables for U-WAVE w/ data switch (160mm):

02AZD790B

For foot switch: **02AZE140B**

(Refer to page B-68 for details.)