



These marks indicate that a product has successfully passed IP65-level testing, which is carried out by the independent German certification organization TÜV Rheinland.



(Refer to page X for details.)

IP Codes (series 331)

Level 6: Dust-proof.

No ingress of dust allowed.

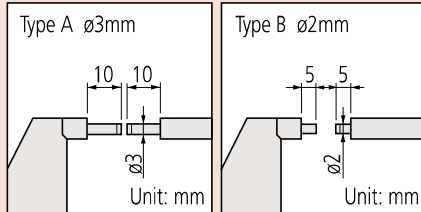
Level 5: Protected against water jets.

Water projected in jets against the enclosure from any direction shall have no harmful effects.

Technical Data

Flatness: 0.3µm/ .000012"

Parallelism: (2+R/100)µm, R = max. range (mm)
 [.00008" + .00004(R/4)]" R = max range (inch)
 fraction rounded down



Battery for series 331

SR44 (1 pc), **938882**, for initial operational checks (standard accessory)

Battery life: Approx. 2.4 years under normal use (for series 331)

Length standard: Electromagnetic rotary sensor (for series 331)

Standard accessories: Reference bar, 1 pc (except for measuring range 0-25mm (0-1") models)
 Spanner (301336), 1 pc

Optional accessories

Connecting cables for series 331

1m: **05CZA662**

2m: **05CZA663**

USB Input Tool Direct

USB-ITN-B (2m): **06ADV380B**

Connecting cables for U-WAVE-T

02AZD790B 160mm

For foot switch: **02AZE140B**

Refer to page B-68 for details.

Spline Micrometers SERIES 331, 111, 131

- The anvil and spindle are of small diameter for measuring splined shafts, slots, and keyways.
- IP65 water/dust protection (series 331).
- Measuring faces: Carbide
- Equipped with Ratchet Stop for constant measuring force.



331-251-30



111-115

SPECIFICATIONS

Metric				
Order No.	Range	Resolution	Accuracy*	Remarks
Digimatic (LCD)				
331-251-30	0 - 25mm	0.001mm	±2µm	Type A
331-252-30	25 - 50mm			
331-253-30	50 - 75mm			
331-254-30	75 - 100mm			
331-261-30	0 - 25mm	0.001mm	±3µm	Type B
331-262-30	25 - 50mm			
331-263-30	50 - 75mm			
331-264-30	75 - 100mm			

* Excluding quantizing error

Inch/Metric				
Order No.	Range	Resolution	Accuracy*	Remarks
Digimatic (LCD)				
331-351-30	0 - 1"	.00005"/ 0.001mm	±.0001"	Type A
331-352-30	1" - 2"			
331-353-30	2" - 3"			
331-354-30	3" - 4"			
331-361-30	0 - 1"	.00005"/ 0.001mm	±.00015"	Type B
331-362-30	1" - 2"			
331-363-30	2" - 3"			
331-364-30	3" - 4"			

* Excluding quantizing error

Metric				
Order No.	Range	Graduation	Accuracy	Remarks
Analog				
111-215	0 - 25mm	0.01mm	±3µm	Type B
111-115	0 - 25mm			
111-116	25 - 50mm			
111-117	50 - 75mm			
111-118	75 - 100mm	0.01mm	±4µm	Type A
111-119	100 - 125mm			
111-120	125 - 150mm			
111-121	150 - 175mm			
111-122	175 - 200mm	0.01mm	±5µm	Type A
111-123	200 - 225mm			
111-124	225 - 250mm			
111-125	250 - 275mm			
111-126	270 - 300mm	0.01mm	±6µm	Type A
131-115	0 - 25mm			

Mechanical counter model

131-115 | 0 - 25mm | ±3µm | Type A

Inch				
Order No.	Range	Graduation	Accuracy	Remarks
Analog				
111-166	0 - 1"	.0001"	±.00015"	Type A

Micrometer

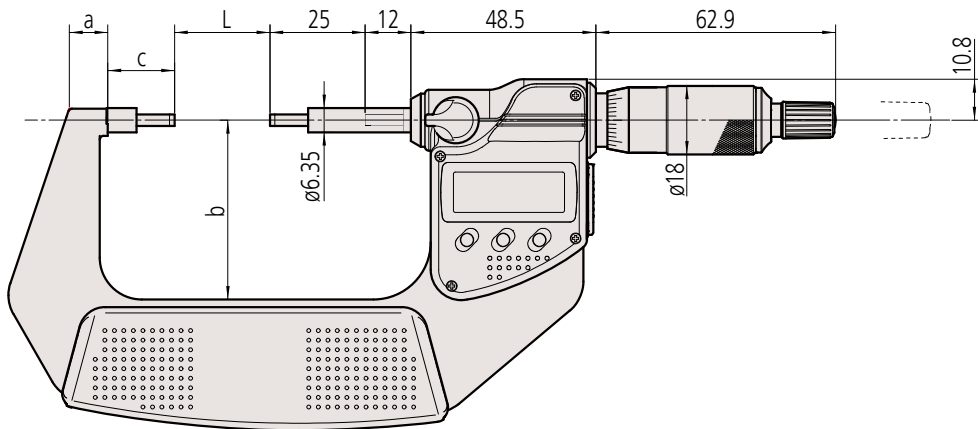
The origin of Mitutoyo's trustworthy brand of small tool instruments

DIMENSIONS

Digital Models

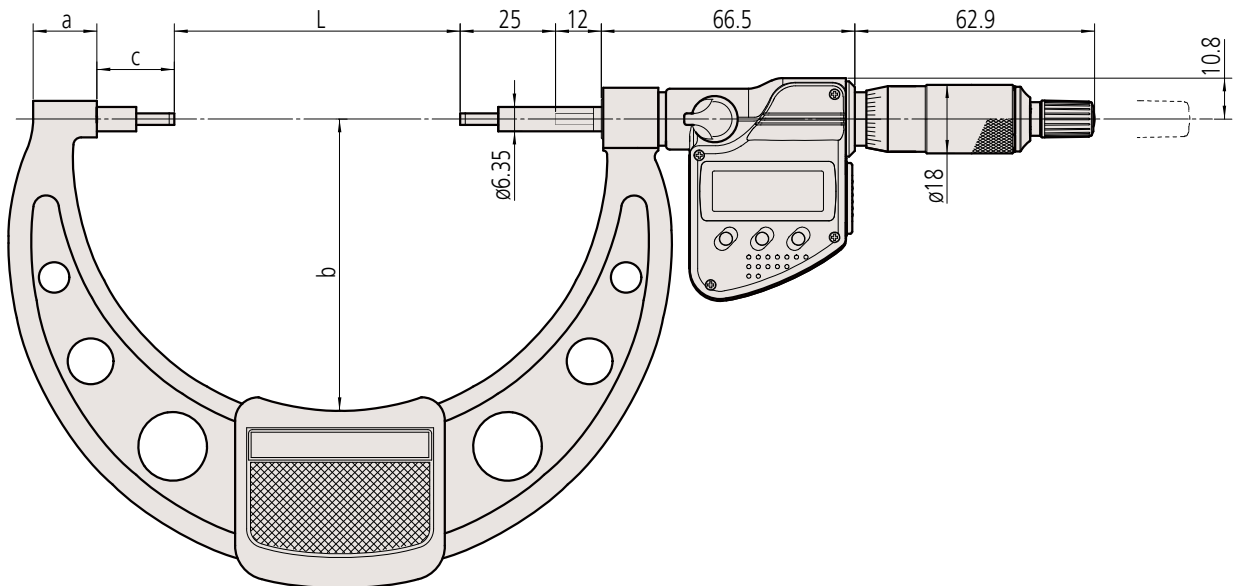
Models up to 75mm measuring range

Unit: mm



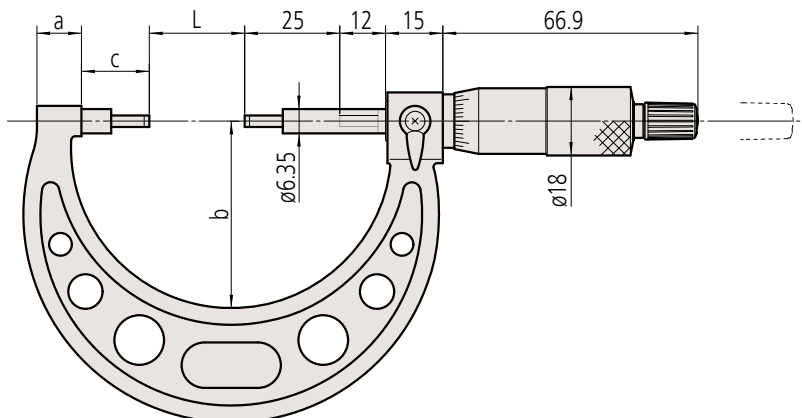
Digital Models

Models over 75mm measuring range



Analog Models

Models up to 300mm measuring range



Order No.	L	a	b	c
331-251-30	0	7.3	32.5	17.5
331-261-30	0			
331-252-30	25	10.1	47	
331-262-30	25	10.1	47	
331-253-30	50	11.5	60	20.3
331-263-30	50	11.5	60	
331-254-30	75	16.7	76	21.5
331-264-30	75			
111-215	0	10	38	17.5
111-115	0			
111-116	25	12	49	
111-117	50	14	60	
111-118	75	16.7	79	20.3
111-119	100	18.8	94	20.7
111-120	125	19.1	106	21.1
111-121	150	18.2	118	21.3
111-122	175	16.8	130	21.7
111-123	200	18	143	20.5
111-124	225		156	21.5
111-125	250		169	
111-126	275		181	